

Copyright © 2017 by Big Bike Parts, Inc. No part of this instruction sheet may be reproduced without the written permission of Big Bike Parts, Inc.

PART NO. 10-108/10-109

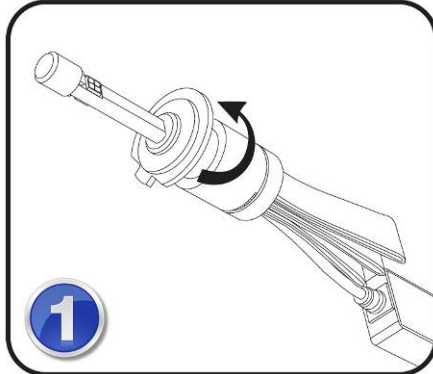
H7 LED HEADLIGHT BULB

6/9/2017

FITMENT: UNIVERSAL

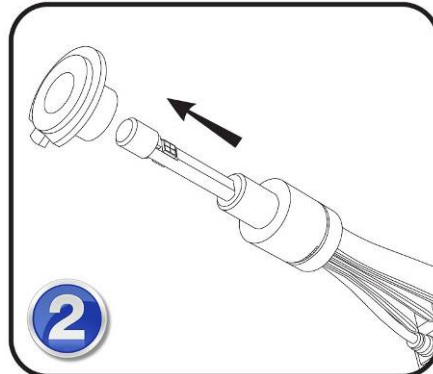
PLEASE READ THROUGH AND UNDERSTAND THESE INSTRUCTIONS BEFORE BEGINNING.

ESTIMATED INSTALLATION TIME: 10 TO 15 MIN.



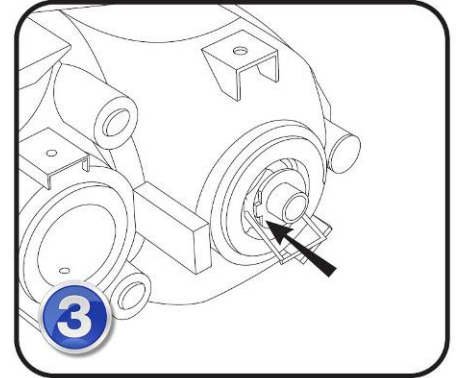
1

ROTATE MOUNTING PLATE AS SHOWN



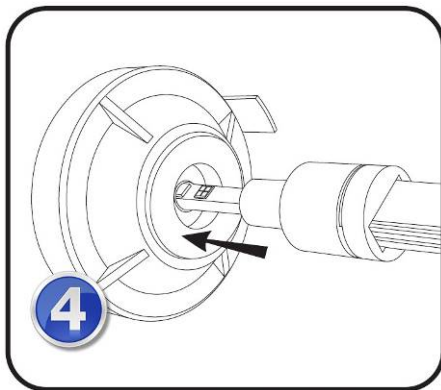
2

REMOVE MOUNTING PLATE FROM LED BULB



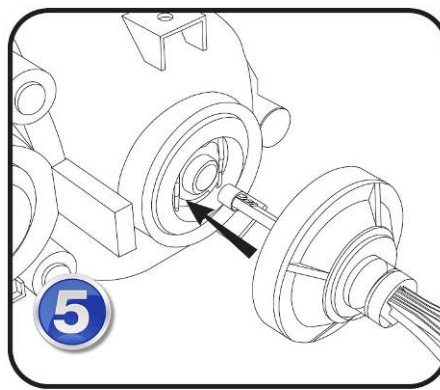
3

PLACE MOUNTING PLATE IN LIGHT FIXTURE AND FASTEN SPRING CLIP



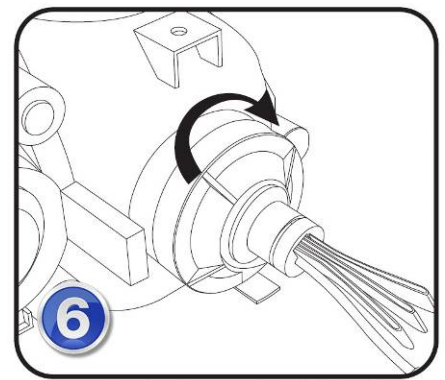
4

INSERT LED BULB INTO RUBBER DUST BOOT.



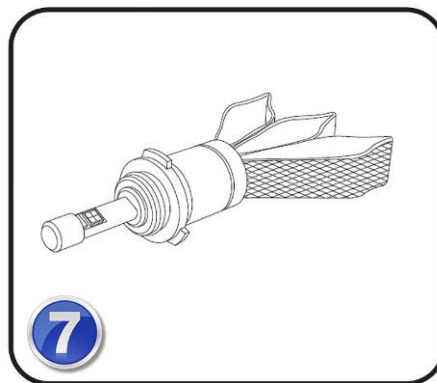
5

INSERT LED BULB WITH DUST BOOT INTO MOUNTING PLATE.



6

ROTATE LED BULB AND BOOT TO LOCK INTO PLACE.



7

SPREAD HEATSINKS AND PLUG INTO WIRING CONNECTOR