

BIG BIKE PARTS® INSTALLATION INSTRUCTIONS

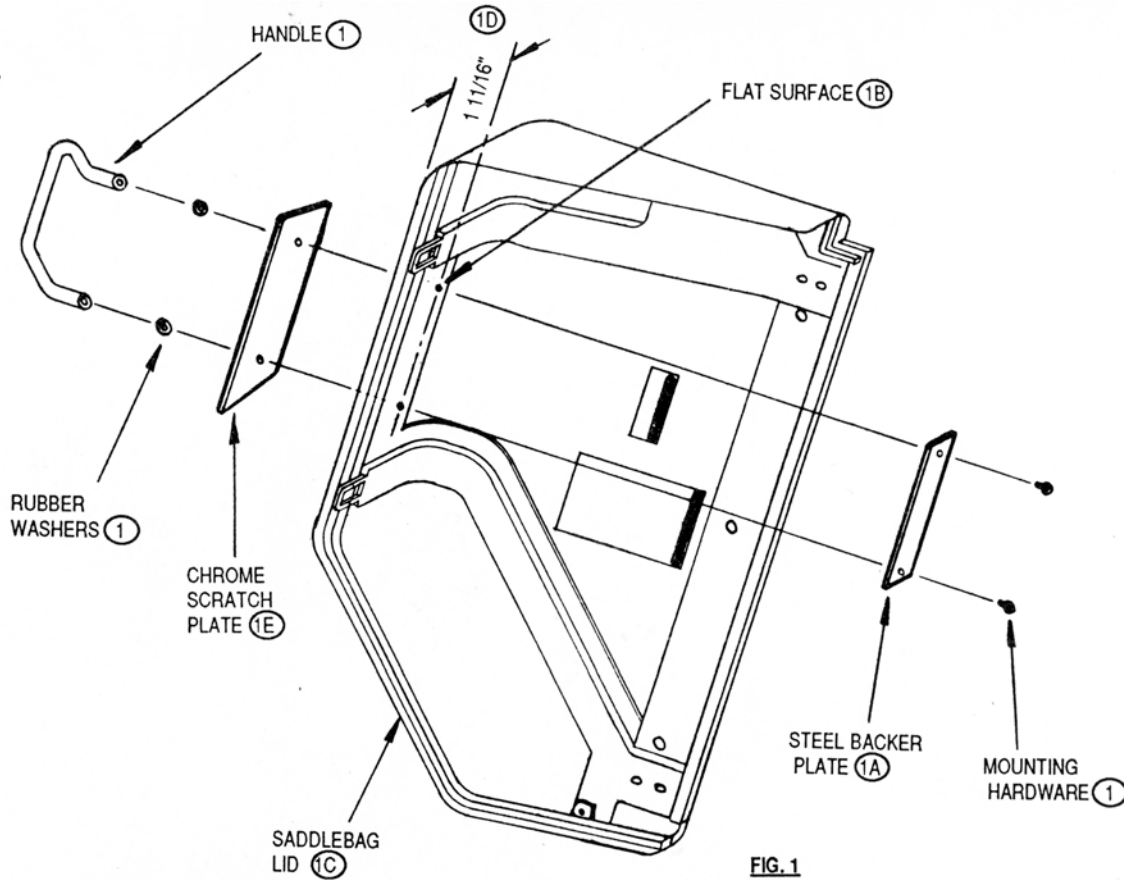
Copyright © 2008 by Big Bike Parts, Inc. No part of this instruction sheet may be reproduced without the written permission of Big Bike Parts, Inc.

PART NO. 2-271

SADDLEBAG DOOR HANDLE
HONDA GL1500/6 GOLDWING

7/25/2017

TOOLS REQUIRED: #2 MEDIUM PHILLIPS SCREWDRIVER
1/4" DRILL BIT & ELECTRIC DRILL
CENTER PUNCH
HAMMER



1. OPEN RIGHT SADDLEBAG DOOR AND HAND CENTER THE STEEL BACKER PLATE (FIG. 1A) ON THE FLAT SURFACE (FIG. 1B) INSIDE THE SADDLEBAG LID (FIG. 1C). PLATE EDGE WILL BE FLUSH WITH THE BOTTOM LEDGE AND THE HOLES WILL BE CENTERED APPROXIMATELY 1-11/16" FROM THE EDGE OF THE DOOR (FIG 1D).
2. MARK TWO HOLE CENTERS THROUGH THE BACKER PLATE WITH A HAMMER AND CENTER PUNCH.
3. REMOVE BCKER PLATE FROM THE DOOR. DRILL TWO HOLES USING THE 1/4" DRILL BIT FROM A DIRECTION INSIDIES OF THE SADDLEBAG TOWARDS THE OUTSIDE OF THE SADDLEBAG.
4. REMOVE THE PROTECTIVE PAPER COVERING THE ADHESIVE ON THE CHROMED SCRATCH PLATE (FIG.1E). GENTLY POSITION THE PLATE WITH THE WIDE SIDE TOWARDS THE SADDLEBAG EDGE; OVER DRILLED HOLES MAKING CERTAIN PLATE HOLES PROPERLY ALIGN TO DRILLED HOLES AND SQUARE TO THE DOOR. **DO NOT** PRESS DOWN ON PLATE UNTIL YOU ARE ABSOLUTELY CERTAIN IT IS IN THE CORRECT POSITION.
5. ASSEMBLE HANDLE THROUGH THE CHROME PLATE AS ILLUSTRATED IN FIG. 1. NOTE: THE HANDLE SHOULD FACE AWAY FROM THE SADDLEBAG DOOR EDGE.
6. REPEAT STEPS 1 THROUGH 5 FOR INSTALLATION OF THE LEFT SADDLEBAG HANDLE.

IMPORTANT NOTICE:

ALTHOUGH THIS IS A STURDY ATTACHEMENT SYSTEM, CAUTION MUST BE TAKEN NOT TO USE THE HANDLES AS AN ANCHOR POINT FOR SECURING STRAPS, CORDS, ETC. FOR HOLDING ARTICLES ON THE SADDLEBAG.