

Copyright© 2005 by Big Bike Parts, Inc. No part of this instruction sheet may be reproduced without the written permission of Big Bike Parts, Inc.

FAIRING SIDE LIGHT  
HARNESS  
PART NO. 2-282

FOR HONDA GL1500/6  
GOLD WING MODELS

Revised 7/25/2017

ITEMS REQUIRED: 8MM OPEN END WRENCH  
32 PHILLIPS SCREWDRIVER

1. UNFASTEN & REMOVE TRUNK LOWER COVER (FIG. 1A)
2. REMOVE L/R SIDE LIGHTS (FIG. 1B)
3. REMOVE THE RUBBER PLUGS FROM L/R LIGHTS (FIG. 1C) PLUG BULBS INTO ALIGNING LIGHT SOCKETS. (FIG. 2A)
4. PLUG L/R GREEN HARNESS CONNECTORS (FIG. 2B) INTO GREEN CONNECTORS LOCATED UNDER TRUNK.
5. CHECK LIGHTS BY TURNING IGNITION SWITCH TO "ON" POSITION.
6. TURN IGNITION SWITCH TO "OFF" POSITION AND REINSTALL L/R LIGHTS.
7. REPLACE TRUNK COVER, MAKING CERTAIN HARNESS ASSEMBLIES ARE NOT PINCHED.

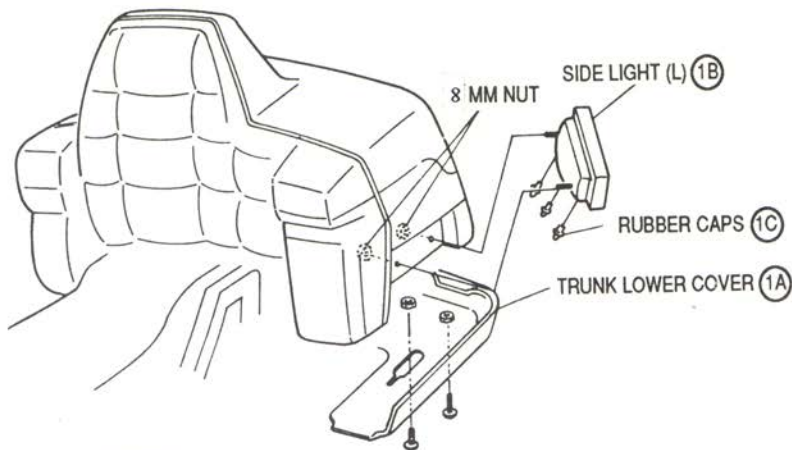


FIGURE #1

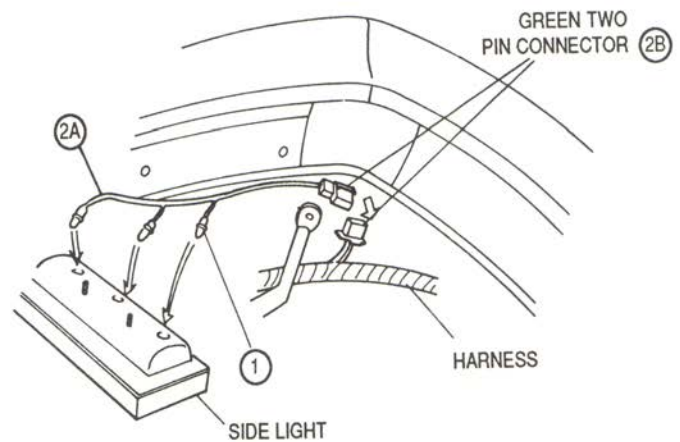


FIGURE #2