

BIG BIKE PARTS® INSTALLATION INSTRUCTIONS

TOUR LUGGAGE RACK
NO. 2-430

HONDA GL1500
GOLDWING MODEL

Copyright© 1995 by Big Bike Parts, Inc. No part of this instruction sheet may be reproduced without the written permission of Big Bike Parts, Inc.®

3/18/2019

TOOLS NEEDED:
#2 MEDIUM PHILLIPS SCREWDRIVER
3/4" MASKING TAPE
1/4" DRILL BIT & ELECTRIC DRILL
SMALL POINT MARKING PEN
CENTER PUNCH & HAMMER

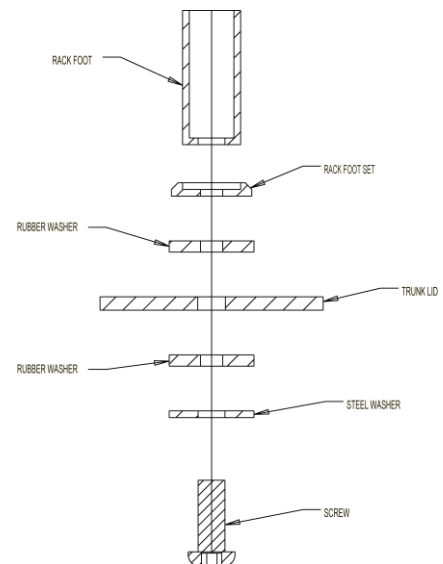
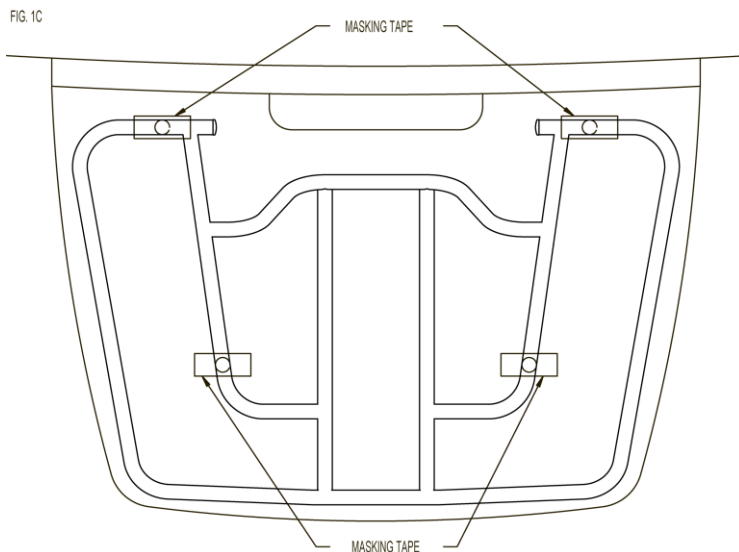
NOTICE: YOU CAN ATTACH A HONDALINE® SPOILER BEFORE OR AFTER INSTALLATION OF THIS RACK, PROVIDING RACK IS POSITIONED IN ACCORDANCE WITH THE BELOW INSTRUCTIONS.

INSTALLATION:

1. POSITION RACK SQUARELY ON TRUNK LID AS FAR FORWARD AS POSSIBLE WITHOUT ALLOWING ENDS TO RUB ON PASSENGER BACKREST SECTION.
2. LIFT RACK SLIGHTLY AND PLACE THREE 3" - 4" PIECES OF MASKING TAPE UNDER EACH OF THE REAR LEGS. (FIG 1C).
3. USE A MARKING PEN TO OUTLINE EACH OF THE FOUR MOUNTING LEGS ONTO THE TAPE STRIPS.
4. REPOSITION THE RACK OVER THE MARKED CIRCLES TO MAKE CERTAIN THE RACK IS IN THE EXACT LOCATION YOU DESIRE. (IF NECESSARY, REMARK ANY INCORRECT CIRCLE MARKINGS.)
5. SET THE RACK ASIDE. USING THE CENTER PUNCH, MARK THE HOLE CENTERS IN THE FOUR MOUNTING LOCATIONS. DRILL 1/4" HOLES THROUGH THE LID.
6. CAREFULLY REMOVE ALL MASKING TAPE FROM LID AND LEGS. ATTACH RACK ACCORDING TO FIGURE 2. LOCTITE COULD BE USED TO ASSURE THE SCREWS STAY PERMANENTLY MOUNTED.

IMPORTANT:

THIS RACK WAS DESIGNED TO SAFELY CARRY A WEIGHT LOAD OF TEN POUNDS. OVERLOADING THE RACK MAY CAUSE DAMAGE TO THE TRUNK LID.



NOTICE

DO NOT EXCEED THE LOAD CAPACITY THAT IS SPECIFIED BY THE VEHICLE MANUFACTURER. EXCESSIVE LOADING ON THE TRUNK LUGGAGE RACK MAY CAUSE LOSS, DAMAGE TO THE MOTORCYCLE OR INJURY. BIG BIKE PARTS IS NOT RESPONSIBLE FOR LOSS, DAMAGE OR INJURY CAUSED DUE TO EXCESSIVE LOADS OVER THE VEHICLE MANUFACTURER'S LOAD SPECIFICATIONS ON THE LUGGAGE RACK.

NOTICE

IGNORING THE CONTENTS OF THESE INSTRUCTIONS MAY AFFECT THE PRODUCT PERFORMANCE AND FUNCTIONALITY. NOT FOLLOWING THESE INSTRUCTION MAY CAUSE DAMAGE TO THE PRODUCT OR THE VEHICLE TO WHICH IT IS BEING ATTACHED.