

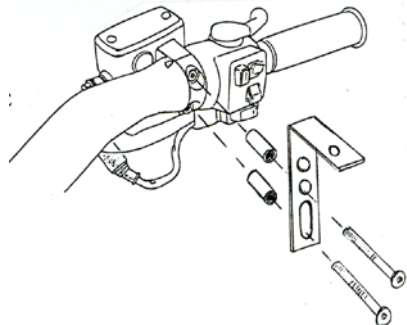
# BIG BIKE PARTS® INSTALLATION INSTRUCTIONS

CHROME COIN HOLDER FOR HONDA GOLD WING  
NO. 2-434 GL1200 LTD, SE-i  
GL1500/6 MODELS

Copyright® 1996 by Big Bike Parts, Inc. No part of this instruction sheet may be reproduced without the written permission of Big Bike Parts, Inc.®

Revised 7/25/2017

NOTE: WE RECOMMEND THE USE OF LOCKTITE ON SCREWS TO MAKE SURE THEY DO NOT VIBRATE LOOSE IN TIME.



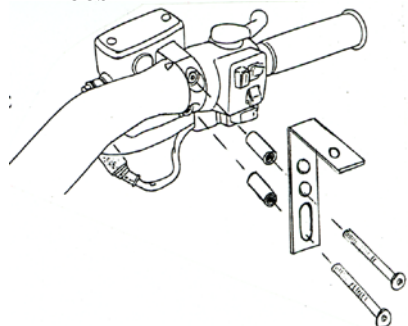
# BIG BIKE PARTS® INSTALLATION INSTRUCTIONS

CHROME COIN HOLDER FOR HONDA GOLD WING  
NO. 2-434 GL1200 LTD, SE-i  
GL1500/6 MODELS

Copyright® 1996 by Big Bike Parts, Inc. No part of this instruction sheet may be reproduced without the written permission of Big Bike Parts, Inc.®

Revised 7/25/2017

NOTE: WE RECOMMEND THE USE OF LOCKTITE ON SCREWS TO MAKE SURE THEY DO NOT VIBRATE LOOSE IN TIME.



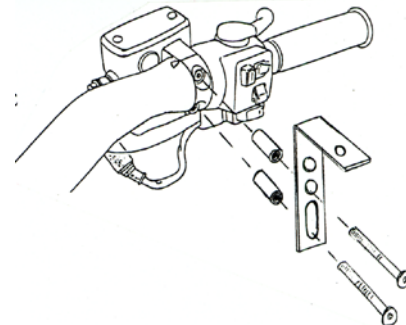
# BIG BIKE PARTS® INSTALLATION INSTRUCTIONS

CHROME COIN HOLDER FOR HONDA GOLD WING  
NO. 2-434 GL1200 LTD, SE-i  
GL1500/6 MODELS

Copyright® 1996 by Big Bike Parts, Inc. No part of this instruction sheet may be reproduced without the written permission of Big Bike Parts, Inc.®

Revised 7/25/2017

NOTE: WE RECOMMEND THE USE OF LOCKTITE ON SCREWS TO MAKE SURE THEY DO NOT VIBRATE LOOSE IN TIME.



# BIG BIKE PARTS® INSTALLATION INSTRUCTIONS

CHROME COIN HOLDER FOR HONDA GOLD WING  
NO. 2-434 GL1200 LTD, SE-i  
GL1500/6 MODELS

Copyright® 1996 by Big Bike Parts, Inc. No part of this instruction sheet may be reproduced without the written permission of Big Bike Parts, Inc.®

Revised 7/25/2017

NOTE: WE RECOMMEND THE USE OF LOCKTITE ON SCREWS TO MAKE SURE THEY DO NOT VIBRATE LOOSE IN TIME.

