

# BIG BIKE PARTS® INSTALLATION INSTRUCTIONS

## TRUNK TURNSIGNAL KIT FOR HONDA PART NO. 2-440 GL1500/6 MODEL

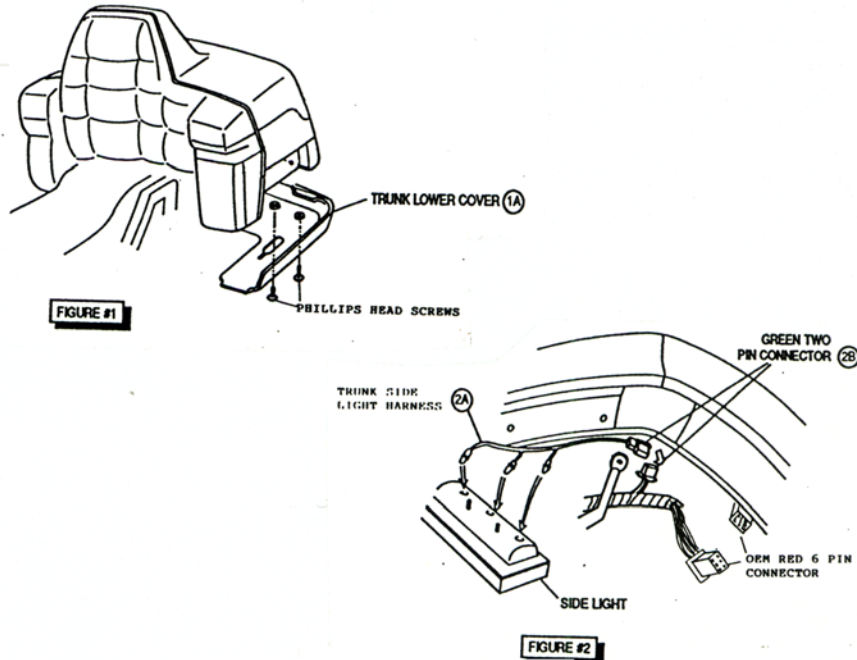
Copyright© 1995 by Big Bike Parts, Inc. No part of this instruction sheet may be reproduced without the written permission of Big Bike Parts, Inc.®

Revised 7/25/2017

ITEMS REQUIRED: #2 PHILLIPS SCREWDRIVER  
REQUIRES BIG BIKE PARTS #2-282 TRUNK SIDE LIGHT HARNESS

### INSTALLATION:

1. UNFASTEN AND REMOVE THE TRUNK LOWER COVER (FIG. #1) BY REMOVING THE FOUR PHILLIPS HEAD SCREWS.
2. LOCATE THE TRUNK SIDE LIGHT HARNESS (2A) AND DISCONNECT THE LEFT AND RIGHT SIDE 2 PIN CONNECTOR MARKED (2B).
3. AT THIS (2B) CONNECTOR, PLUG IN THE LEFT AND RIGHT SIDE MALE AND FEMALE 2 PIN CONNECTOR ON THE ATTACHED 2-440 TRUNK TURNSIGNAL KIT.
4. LOCATE THE RED 6 PIN CONNECTOR COMING OFF THE SAME BIKE WIRE HARNESS THAT PLUGS TO THE LEFT AND RIGHT SIDES UNDER THE TRUNK HANDLE AND DISCONNECT.
5. AT THIS 6 PIN CONNECTOR, PLUG IN THE LEFT AND RIGHT SIDE MALE AND FEMALE 6 PIN CONNECTORS PROVIDED ON THE 2-440 TRUNK TURNSIGNAL KIT.
6. CHECK THE TURNSIGNALS FOR PROPER OPERATION AND THEN TUCK THE WIRES UP WITH THE OTHER WIRE HARNESS ALLOWING THE TRUNK LOWER COVER TO BE REINSTALLED.



# BIG BIKE PARTS® INSTALLATION INSTRUCTIONS

## TRUNK TURNSIGNAL KIT FOR HONDA PART NO. 2-440 GL1500/6 MODEL

Copyright© 1995 by Big Bike Parts, Inc. No part of this instruction sheet may be reproduced without the written permission of Big Bike Parts, Inc.®

Revised 7/25/2017

ITEMS REQUIRED: #2 PHILLIPS SCREWDRIVER  
REQUIRES BIG BIKE PARTS #2-282 TRUNK SIDE LIGHT HARNESS

### INSTALLATION:

1. UNFASTEN AND REMOVE THE TRUNK LOWER COVER (FIG. #1) BY REMOVING THE FOUR PHILLIPS HEAD SCREWS.
2. LOCATE THE TRUNK SIDE LIGHT HARNESS (2A) AND DISCONNECT THE LEFT AND RIGHT SIDE 2 PIN CONNECTOR MARKED (2B).
3. AT THIS (2B) CONNECTOR, PLUG IN THE LEFT AND RIGHT SIDE MALE AND FEMALE 2 PIN CONNECTOR ON THE ATTACHED 2-440 TRUNK TURNSIGNAL KIT.
4. LOCATE THE RED 6 PIN CONNECTOR COMING OFF THE SAME BIKE WIRE HARNESS THAT PLUGS TO THE LEFT AND RIGHT SIDES UNDER THE TRUNK HANDLE AND DISCONNECT.
5. AT THIS 6 PIN CONNECTOR, PLUG IN THE LEFT AND RIGHT SIDE MALE AND FEMALE 6 PIN CONNECTORS PROVIDED ON THE 2-440 TRUNK TURNSIGNAL KIT.
6. CHECK THE TURNSIGNALS FOR PROPER OPERATION AND THEN TUCK THE WIRES UP WITH THE OTHER WIRE HARNESS ALLOWING THE TRUNK LOWER COVER TO BE REINSTALLED.

