

Copyright© 2001 by Big Bike Parts, Inc. No part of this instruction sheet may be reproduced without the written permission of Big Bike Parts, Inc.©

## "SWING AWAY"

## PASSENGER ARMRESTS

(PART NO. 2-471, 2-472, 2-473, 2-477, 2-498)

## HONDA GL1500/6

## GOLD WING

Revised 8/25/2010

ITEMS REQUIRED: PHILLIPS SCREW DRIVER, 13MM & 10MM WRENCH

### INSTALLATION:

NOTE: THE SWING AWAY PASSENGER ARMRESTS MOUNT TO THE RIGHT AND LEFT ANTENNA MOUNTS. IF YOU DO NOT HAVE A CB ANTENNA (LEFT SIDE MOUNT) YOU NEED AN ARMREST MOUNT KIT (BBP PART #2-470) TO COMPLETE THE INSTALLATION.

1. WITH YOUR MOTORCYCLE ON ITS CENTER STAND, REMOVE THE RIGHT AND LEFT PASSENGER HANDRAILS FROM EACH SIDE OF THE SEAT (FOUR 13MM BOLTS).
2. OPEN THE TRUNK AND REMOVE THE THREE PHILLIPS HEAD SCREWS FROM EACH SIDE THAT HOLD THE RIGHT AND LEFT TRUNK STORAGE POCKETS IN PLACE. REMOVE THE TRUNK POCKETS AND SET ASIDE.
3. REMOVE TWO BOLTS THAT HOLD THE ANTENNA MOUNT TO THE TRUNK BOX. THERE IS ENOUGH SLACK IN THE ANTENNA CABLE TO PULL THE ANTENNA FAR ENOUGH OUT TO SLIP THE SWING AWAY ARMREST BRACKET IN PLACE BEHIND THE ANTENNA MOUNT (FIG 1). REINSTALL THE ANTENNA MOUNT WITH SWING AWAY ARMREST BRACKET IN PLACE USING THE OEM BOLTS. HOLD SWING AWAY ARMRESTS WHERE DESIRED AND TIGHTEN THE BOLTS SECURELY. (NOTE: IF YOU DO NOT HAVE A CB ANTENNA, USE THE ARMREST MOUNT KIT (BBP #2-470) AND MOUNT THE SAME AS ABOVE USING THE ARMREST MOUNT. (FIG 1)
4. ATTACH THE SWING AWAY ARMREST PADS TO THE BRACKETS AS SHOWN IN FIGURE 1 USING PROVIDED 1/4" PHILLIPS SCREWS AND WASHERS. POSITION THE PAD TO YOUR DESIRED COMFORT POSITION AND TIGHTEN THE BOLTS SECURELY.
5. REINSTALL THE RIGHT AND LEFT TRUNK STORAGE POCKETS AND THEN THE RIGHT AND LEFT PASSENGER HANDRAILS ON EACH SIDE.
6. THE PIVOT BOLTS ON THE SWING AWAY PASSENGER ARMREST BRACKETS SHOULD BE TIGHTENED ENOUGH TO HOLD THEIR POSITION DURING USE, YET ALLOW THEM TO "SWING AWAY" FOR PASSENGER ACCESS.

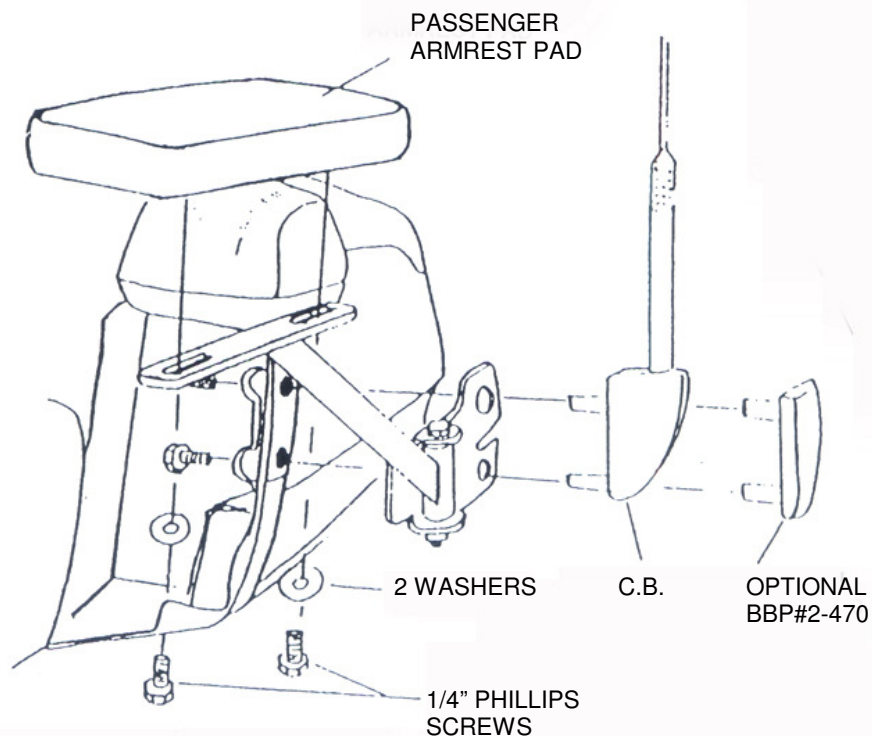


FIGURE 1