

Copyright © 2021 by Big Bike Parts, Inc. No part of this instruction sheet may be reproduced without the written permission of Big Bike Parts, Inc.

PART NO. 21-327BK/21-356/21-357/
21-357BK/21-359/21-359BK

DRIVERS BOARDS SETS

REVISED 9/22/2021

FITMENT: HONDA GOLDWING/ GOLDWING TOUR DCT, 2018-NEWER

TOOLS NEEDED:	NEEDLE NOSE PLIERS	PHILLIPS SCREWDRIVER	5MM ALLEN WRENCH	8MM ALLEN WRENCH
	LEVEL	REMOVABLE THREAD LOCK	13MM WRENCH	

PLEASE READ THROUGH AND UNDERSTAND THESE INSTRUCTIONS BEFORE BEGINNING. ** USE REMOVABLE THREAD LOCK ON ALL FASTENERS**

ESTIMATED INSTALLATION TIME: 20 TO 40 MIN.

INSTALLATION:

1. STARTING ON THE LEFT SIDE USE A NEEDLE NOSE PLIER TO REMOVE THE COTTER PIN SHOWN IN FIG. 1.
2. REMOVE THE FLAT WASHER AND PUSH THE 8MM PIN UP TO REMOVE IT. REMOVE THE PEG AND SPRING. NONE OF THESE ITEMS WILL BE REUSED.
3. USING FIG. 2 FOR REFERENCE INSTALL 2 OF THE FLAT HEAD SCREWS IN THE LEFT MOUNT. THREAD THEM IN ALL THE WAY AT THIS POINT.
4. USING THE M8 X 45MM BOLT SUPPLIED INSTALL THE LEFT MOUNT AS SHOWN IN FIG. 3. DO NOT INSTALL THE M8 LOCK NUT YET.
5. USING FIG. 4, 4A, OR 4B FOR REFERENCE INSTALL THE LEFT BOARD ON THE LEFT MOUNT USING THE SUPPLIED M10 X 28MM BOLT. SEE FIG. 5. (NOTE: IF INSTALLING THE COMMANDER MINI BOARDS, BBP P/N 21-327BK, THEY ARE IDENTICAL LEFT AND RIGHT.)
6. PUT THE BOARD IN THE DOWN POSITION AND USE A LEVEL TO FIRST MAKE SURE THE BIKE IS LEVEL AND THEN USE THE LEVEL TO LEVEL THE LEFT BOARD. USE THE M4 SCREWS YOU INSTALLED IN STEP 3 TO ADJUST THE BOARD TO THE DESIRE POSITION. BACK EACH M4 SCREW OUT A HALF A TURN AT A TIME AND REINSTALL THE M8 BOLT UNTIL THE BOARD IS LEVEL.
7. USE A 5MM ALLEN WRENCH TO KEEP THE M8 X 45MM BOLT FROM TURNING AND INSTALL AND TIGHTEN THE M8 LOCK NUT AS SHOWN IN FIG. 3.
8. REPEAT THE STEPS ABOVE ON THE RIGHT SIDE OF THE BIKE.
9. BEFORE RIDING THE BIKE MAKE SURE YOU CAN EASILY ACCESS THE BRAKE PEDAL ON THE RIGHT SIDE.

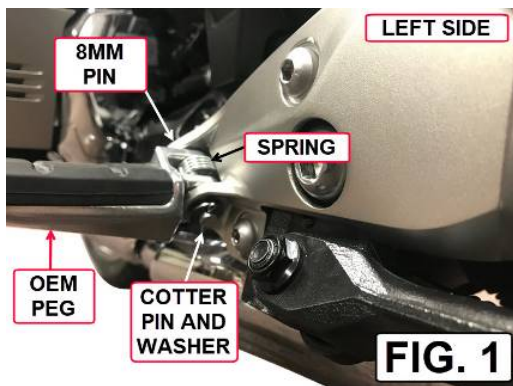


FIG. 1

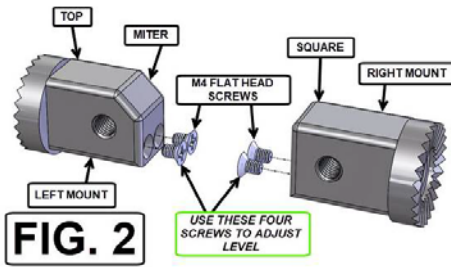


FIG. 2

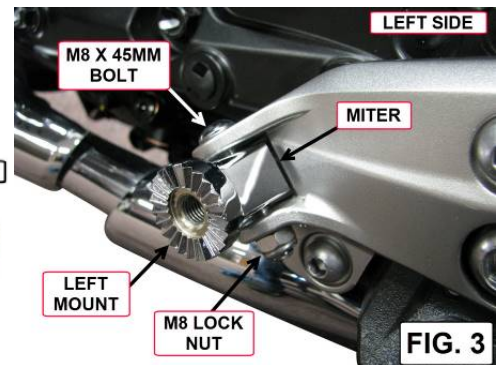


FIG. 3

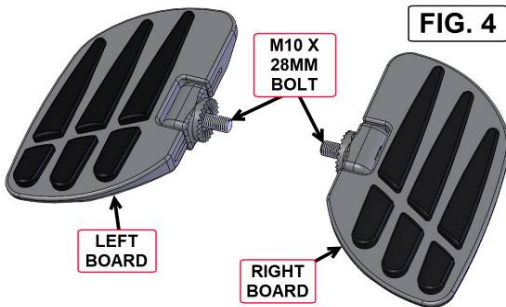


FIG. 4

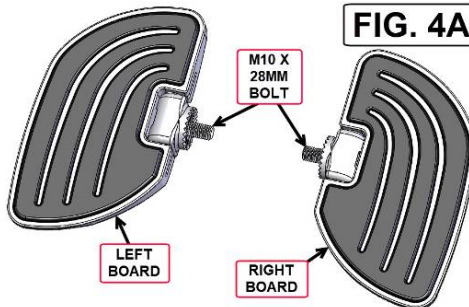


FIG. 4A

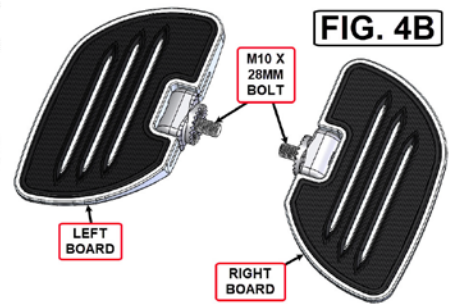


FIG. 4B

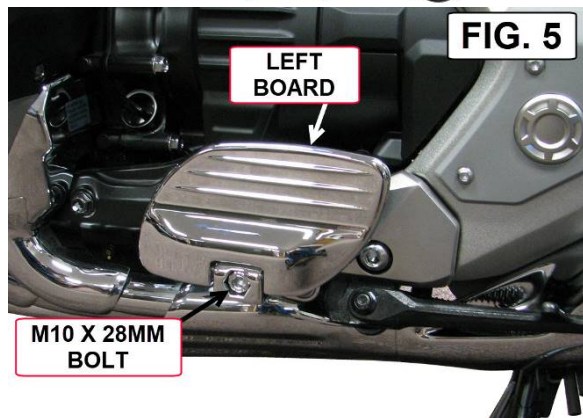


FIG. 5

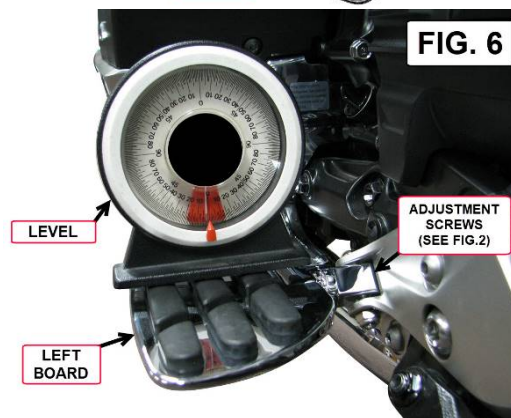


FIG. 6

NOTICE
THIS SET CONTAINS EXTRA HARDWARE ITEMS THAT WILL NOT BE USED FOR THIS INSTALLATION