

Copyright © 2015 by Big Bike Parts, Inc. No part of this instruction sheet may be reproduced without the written permission of Big Bike Parts, Inc.

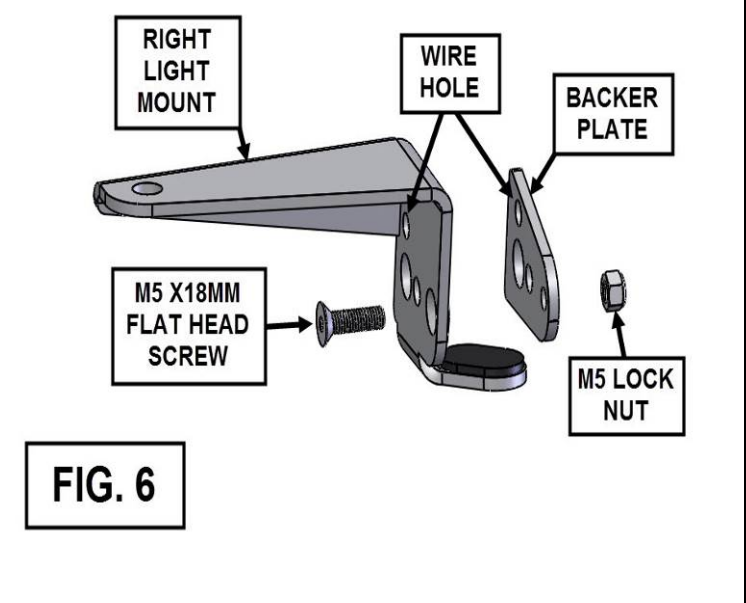
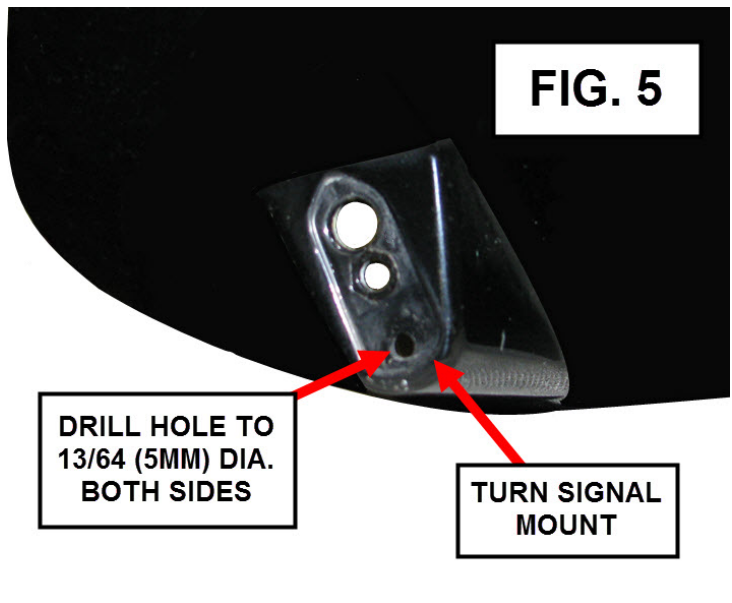
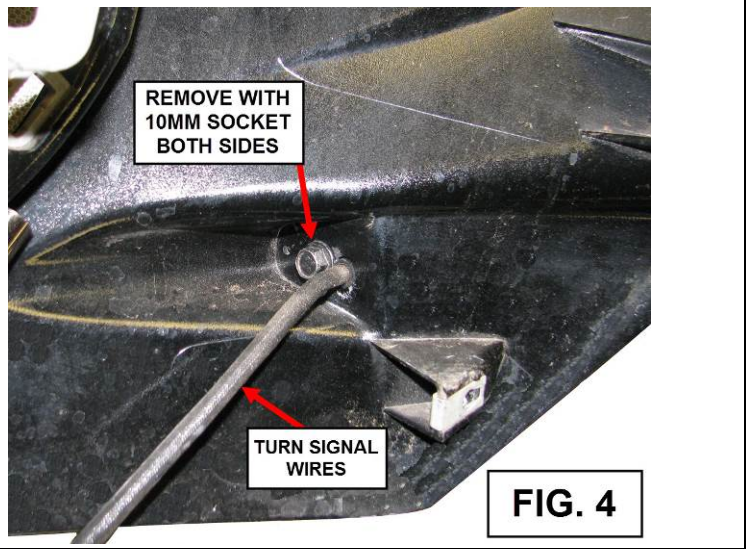
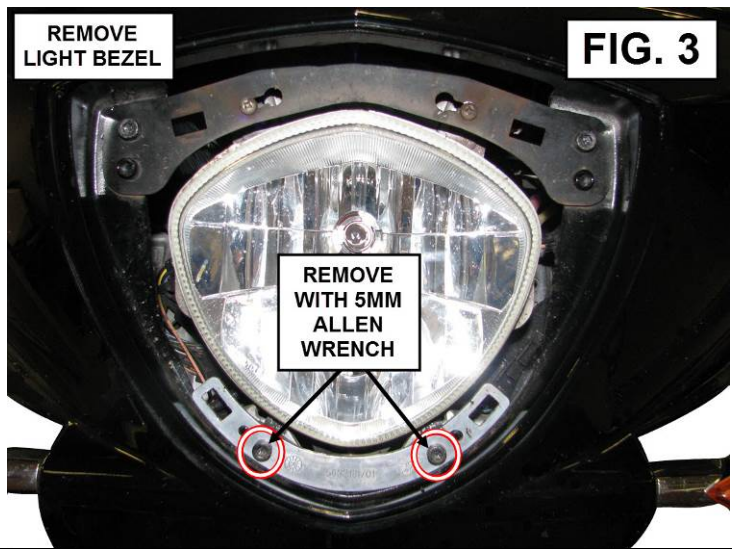
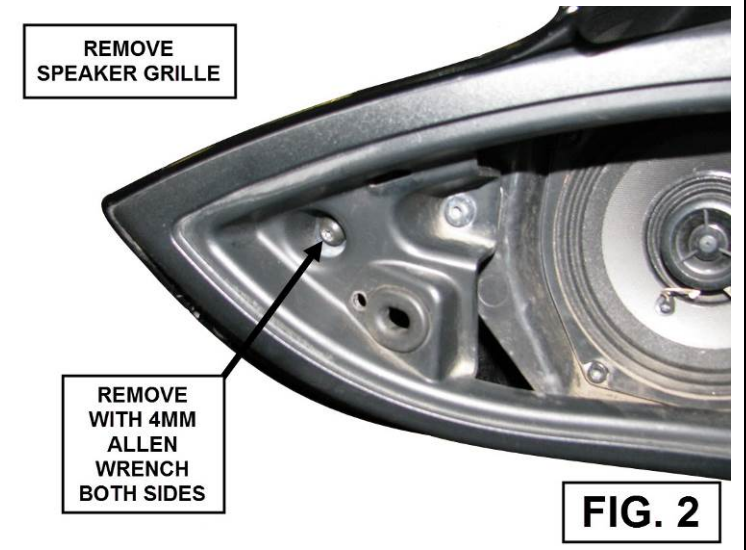
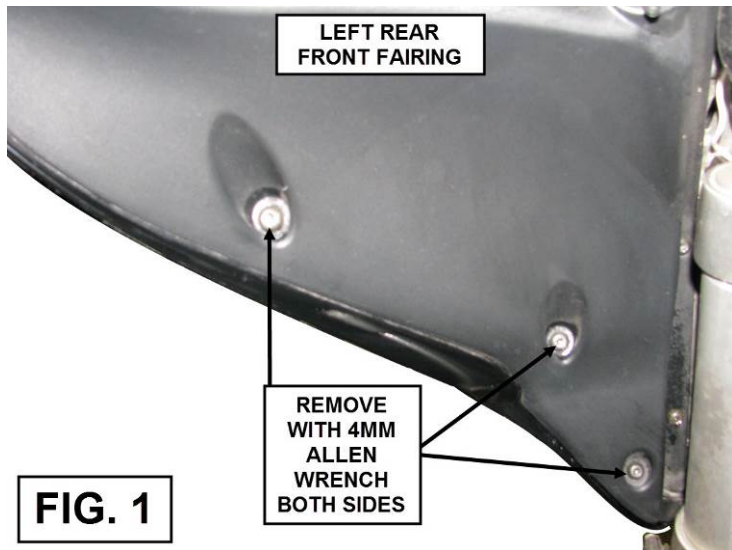
**PART NO. 30-101 & 30-101L****DRIVING LIGHT KIT****FITMENT: VICTORY CROSS COUNTRY/CCT/MAGNUM 2010-NEWER**

4/14/2016

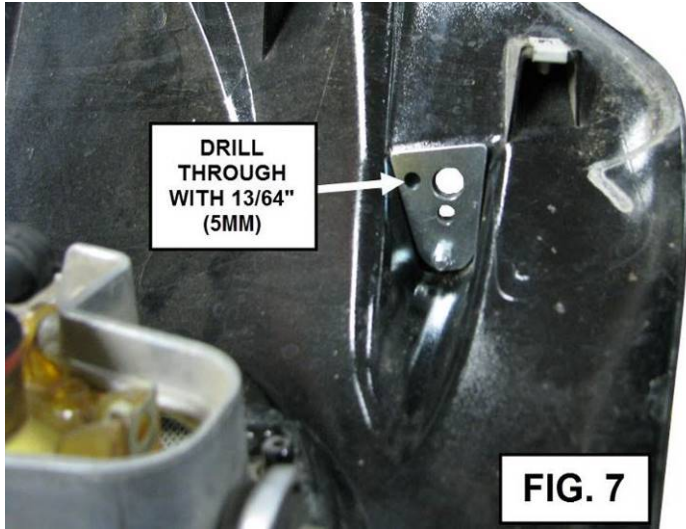
TOOLS NEEDED:	3MM ALLEN WRENCH	4MM ALLEN WRENCH	5MM ALLEN WRENCH	8MM SOCKET WRENCH	10MM SOCKET WRENCH
	13MM WRENCH	13/64" (5MM) DRILL BIT	9/16" WRENCH	WIRE CUTTER/CRIMPER	SMALL FLAT SCREWDRIVER
	CLEAN TOWEL	HAND DRILL			

**PLEASE READ THROUGH AND UNDERSTAND THESE INSTRUCTIONS BEFORE BEGINNING.****ESTIMATED INSTALLATION TIME: 60 TO 90 MIN.****INSTALLATION:**

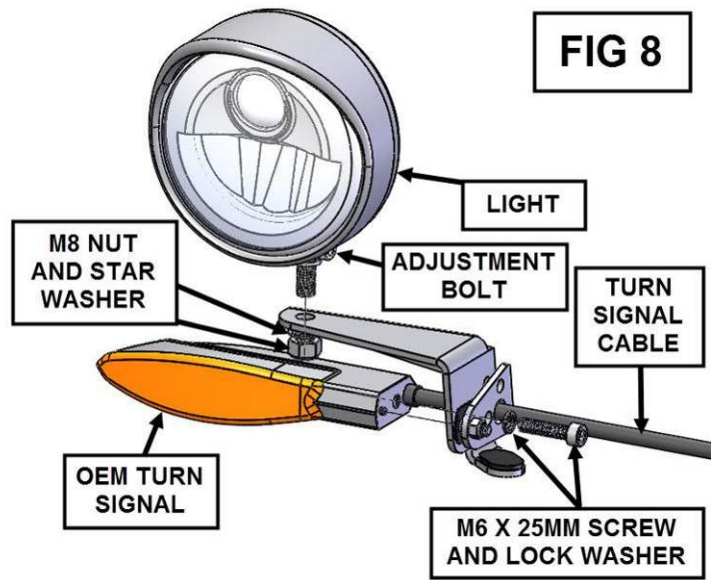
1. USING A 4MM ALLEN WRENCH REMOVE THE FOUR SCREWS HOLDING THE CHIN FAIRING TO THE BIKE. REMOVE THE CHIN FAIRING AND SET IT ASIDE. THE CHIN FAIRING IS THE GRILLE/SPOILER THAT IS IN FRONT OF THE MOTOR AND BEHIND THE FRONT WHEEL.
2. DISCONNECT BOTH BATTERY CABLES.
3. USING A 4MM ALLEN WRENCH REMOVE THE SIX SCREWS ON THE LOWER BACK SIDE OF THE FRONT FAIRING. SEE FIG. 1.
4. REMOVE BOTH FRONT SPEAKER GRILLES USING A SMALL FLAT SCREWDRIVER. SET GRILLES ASIDE.
5. USING A 4MM ALLEN WRENCH REMOVE THE TWO OUTSIDE SCREWS SHOWN IN FIG. 2. (ONE ON EACH SIDE)
6. REMOVE THE HEADLIGHT BEZEL BY PULLING IT STRAIGHT FORWARD AND SET IT ASIDE.
7. USING A 5MM ALLEN WRENCH REMOVE THE TWO SCREWS SHOWN IN FIG. 3.
8. REMOVE THE FRONT OUTER FAIRING BY PULLING IT STRAIGHT FORWARD. DISCONNECT THE HEADLIGHT AND BOTH TURN SIGNALS.
9. LAY THE FRONT FAIRING ON A CLEAN TOWEL WITH THE FACE DOWN.
10. STARTING ON THE RIGHT SIDE USE A 10MM SOCKET AND REMOVE THE BOLT HOLDING THE OEM TURN SIGNAL TO THE FAIRING. SEE FIG. 4. NOTE: THIS BOLT WILL NOT BE REUSED.
11. REMOVE THE TURN SIGNAL AND SET ASIDE.
12. TURN THE FAIRING OVER AND USING A 13/64" (5MM) DRILL BIT DRILL OUT THE SMALL HOLE SHOWN IN FIG. 5. CLEAN THE AREA AFTER DRILLING.
13. TAKE THE RIGHT LIGHT MOUNT, ONE OF THE BACKER PLATES, A M5 X 18MM FLAT HEAD SCREW, AND ONE OF THE M5 LOCK NUTS AND PLACE THE MOUNT ON THE OUTSIDE OF THE FAIRING AND THE BACKER PLATE ON THE INSIDE OF THE FAIRING. SEE FIG. 6. NOTE THE WIRE HOLE WILL BE TO THE TOP.
14. INSERT THE M5 X 18MM FLAT HEAD SCREW FROM THE OUTSIDE THROUGH THE MOUNT, THE FAIRING, AND THE BACKER PLATE. INSTALL THE LOCK NUT ON THE INSIDE AND TIGHTEN.
15. USING A 13/64" (5MM) DRILL BIT DRILL THROUGH THE HOLE SHOWN IN FIG. 7 FROM THE INSIDE OF THE FAIRING. REMOVE ANY SHARP EDGES.
16. REINSTALL THE OEM TURN SIGNAL BY FIRST ROUTING THE CABLE THROUGH THE LARGE HOLE IN THE MOUNT AND LINING THE SMALL KNOB UP WITH THE HEX IN THE M5 FLAT HEAD SCREW. SEE FIG. 8.
17. FROM THE INSIDE INSTALL THE M6 X 25MM LONG SOCKET HEAD SCREW WITH A LOCK WASHER THROUGH THE MIDDLE HOLE AND INTO THE OEM TURN SIGNAL. TIGHTEN THE SCREW WITH A 5MM ALLEN WRENCH. SEE FIG. 8.
18. INSTALL ONE OF THE LIGHTS FROM THE KIT THROUGH THE MOUNTING HOLE ON THE RIGHT MOUNT. USE FIG. 8 FOR 30-101L (LED LIGHTS) AND USE FIG. 8A FOR 30-101 (HALOGEN LIGHTS). USING A WRENCH TO TIGHTEN THE LIGHT TO THE MOUNT.
19. USING A 5MM ALLEN WRENCH AND A 10MM SOCKET TIGHTEN THE ADJUSTMENT BOLT ON THE LIGHT. SEE FIG. 8. (30-101L ONLY)
20. ROUTE THE TWO WIRES FROM THE LIGHT THROUGH THE WIRE HOLE YOU DRILLED AND INTO THE INSIDE OF THE FAIRING. SEE FIG. 9.
21. REPEAT STEPS 10 THROUGH 20 AND INSTALL THE LEFT MOUNT AND LIGHT.
22. USING A SMALL FLAT SCREWDRIVER REMOVE THE SWITCH PLUG FROM THE RIGHT SIDE OF THE RADIO DISPLAY.
23. TAKE THE THREE WIRE HARNESS WITH THE BLUE, ORANGE, AND GREEN WIRES AND ROUTE THE END WITH THREE FEMALE FLAT CONNECTORS FROM THE INSIDE OF THE DASH THROUGH THE SWITCH HOLE. SEE FIG. 10.
24. CONNECT THE BLUE WIRE TO TERMINAL 1 AND THE ORANGE WIRE TO TERMINAL 2. THE GREEN WIRE WILL NOT BE USED.
25. INSERT THE SWITCH INTO THE DASH WITH TERMINAL 1 AT THE BOTTOM OF THE SWITCH HOLE AS SHOWN IN FIG. 10.
26. FIND A PLACE TO MOUNT THE SUPPLIED RELAY. NOTE: USE A BOLT OR A WIRE TIE TO MAKE SURE THE RELAY IS SECURE AND WILL NOT MOVE WHEN RIDING THE BIKE.
27. TAKE THE TWO LONG BLACK WIRES FROM THE KIT AND CONNECT THE BULLET CONNECTORS TO THE BLUE WIRES ON EACH LIGHT. SEE FIG. 11.
28. CONNECT THE TWO BLACK WIRES FROM THE NEW LIGHTS TO A GROUND. NOTE: GROUND WIRES CAN BE CONNECTED TOGETHER AND THEN TO A COMMON GROUNDING POINT.
29. CONNECT THE BLUE WIRE FROM THE NEW SWITCH TO THE TERMINAL ON THE RELAY SHOWN IN FIG. 11.
30. CONNECT THE ORANGE WIRE FROM THE SWITCH TO A KEYED POWER SOURCE. A T-TAP CONNECTOR IS SUPPLIED FOR THIS CONNECTION.
31. ROUTE THE HARNESS WITH THE RED AND GREEN WIRES TO THE BIKES BATTERY. THE END WITH THE RING TERMINAL GOES TO THE BATTERY. DO NOT CONNECT TO BATTERY YET. CONNECT THE OTHER END TO THE RELAY AS SHOWN IN FIG. 11.
32. CONNECT THE TWO BLACK WIRES FROM THE LIGHTS TO THE RELAY. ALSO RECONNECT THE HEADLIGHT AND BOTH TURN SIGNALS. SET FAIRING INTO PLACE ON THE BIKE AND MAKE SURE NONE OF THE WIRES ARE GETTING PINCHED BY THE FAIRING.
33. REINSTALL ALL THE SCREWS FOR THE FAIRING AND INSTALL THE HEADLIGHT BEZEL AND THE SPEAKER GRILLES.
34. RECONNECT THE BATTERY AND INCLUDE THE NEW RED WIRE TO THE POSITIVE TERMINAL AND THE GREEN WIRE TO THE NEGATIVE TERMINAL.
35. REINSTALL AND TIGHTEN THE CHIN FAIRING.
36. TURN THE KEY TO THE ON POSITION AND MAKE SURE BOTH LIGHT TURN ON. ADJUST BOTH LIGHTS TO DESIRED POSITION.
37. AFTER A SHORT RIDE RECHECK ALL FASTENERS AND MAKE SURE WIRING IS SECURE.







**FIG. 7**

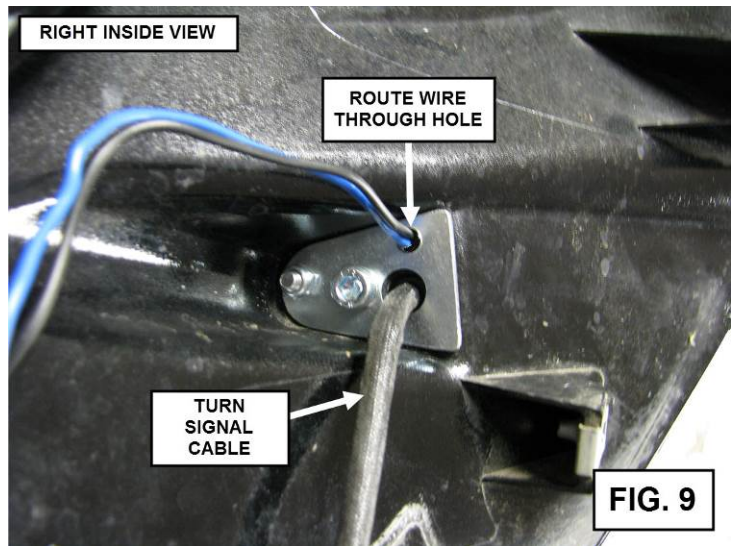


**FIG 8**

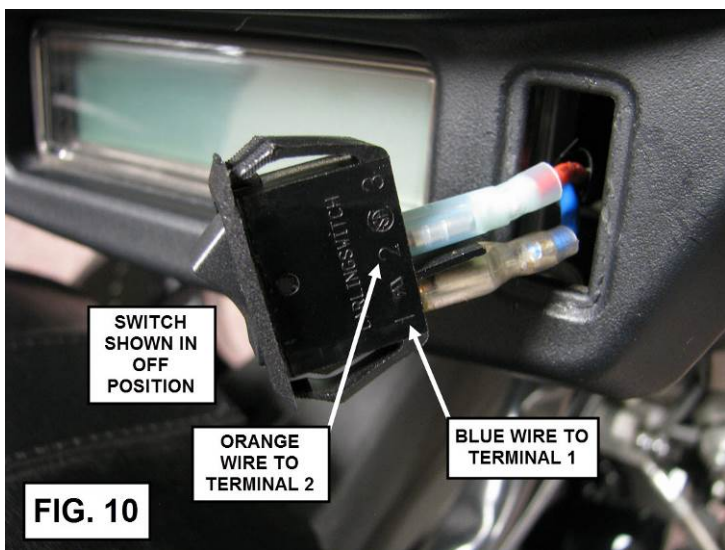


**FIG 8A**

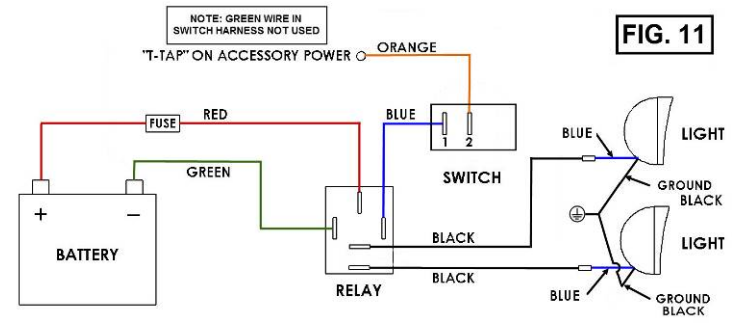
30-101 ONLY



**FIG. 9**



**FIG. 10**



**FIG. 11**