

# BIG BIKE PARTS®

Copyright© 2012 by Big Bike Parts, Inc. No part of this instruction sheet may be reproduced without the written permission of Big Bike Parts, Inc.

4/26/2017

# INSTALLATION INSTRUCTIONS

PART NO. 52-567

SMART MOUNT BACKREST

HONDA GL1500 GOLDWING 1988-2000

TOOLS NEEDED:	Drill 9" Serrated Knife Measuring Tape	9/32" or 7mm Drill Bit Utility Knife 7/16" Wrench	6mm Allen Wrench 5mm Allen Wrench 4mm Allen Wrench	1/8" Allen Wrench 3/16" Allen Wrench	Lint-free Cloth Rubbing Alcohol
HARDWARE INCLUDED:	Backrest Pad Backrest Mounting Bracket Adjusting Bracket Adjustable Tongue Protective Cover (Rubber Gasket)	Adjustment Plate Top Mounting Bracket Bottom Mounting Bracket Rubber Strip	10-32 x 1/2" Button Head Cap Screw (2) 1/4-20 x 3" Socket Head Cap Screw M6 x 14mm Button Head Cap Screw (2) M6 x 18mm Button Head Cap Screw (2) M6 x 25mm Socket Head Cap Screw (2)	1/4-20 x 2-3/4" Socket Head Cap Screw 1/4-20 Nylock Nut (2) M6 Lock Washers (6) M6 Flat Washers (2)	

**NOTE: THREAD LOCK COMPOUND SHOULD BE USED ON ALL HARDWARE  
PLEASE READ THROUGH AND UNDERSTAND THESE INSTRUCTIONS BEFORE BEGINNING.  
ESTIMATED INSTALLATION TIME: 60 TO 90 MIN.**



1. Park motorcycle on level surface and place on center stand.
2. Using a 6mm Allen Wrench, remove the 4 bolts in the passenger handles (2 in each handle). **See Diagram 1.**
3. Once handles are removed, lift seat to remove.
4. Turn seat upside-down on a work surface, place Bottom Mounting Bracket (Y-shaped) on underside of seat, nesting curve of Bottom Mounting Bracket along curve of seat bottom and center side to side.
5. Attach Rubber Strip to Bottom Mounting Bracket as shown. **See Diagram 2.**
6. Using Bottom Mounting Bracket as a template, mark locations of holes on seat base. **See Diagram 2.**
7. Remove Bottom Mounting Bracket to drill holes. Using a 9/32" (7MM) bit, drill holes through white plastic seat base according to marked locations from step 5. Remove any loose plastic from drilling.
8. After drilling holes, flip seat right-side up. Clean the upper driver's seat-back area with rubbing alcohol and a lint free cloth. **See Diagram 3.**
9. Locate centerline of seat. **See Diagram 3.**
10. Mark a location on seat-back top surface approximately 1-1/4" (32MM) back from front seams along centerline of seat. **See Diagram 3.**
11. Align Protective Cover (Rubber gasket) and remove backing from double-sided tape to affix to seat at marked location. **See Diagram 3.**
12. With Protective Cover secured, use a utility knife to make a 1-1/2" (38MM) wide slit in the vinyl seat covering. **See Diagram 3.**  
**Before proceeding, become familiar with steps 13-17 and accompanying Diagrams.**
13. Using a long, serrated knife (a bread knife works well), cut down through the slit, gently cutting through the foam. Angle of cut should be approximately the same angle as the seams on the driver's seat back. The knife cut will create a guided path for the Top Mounting Bracket. **See Diagram 4.**
14. Push the knife down until it appears on the other side of the drilled holes in the seat base. Remove knife from seat.
15. Push Top Mounting Bracket down through knife cut and guide through path in seat foam until the M6 x 1.0 threaded holes in Top Mounting Bracket align with the drilled holes in seat bottom.
16. Place Bottom Mounting Bracket in same location as in step 4, aligning holes in the seat bottom with the tapped holes at the end of Top Mounting Bracket. Using a 5mm Allen Wrench, attach the Bottom Mounting Bracket to Top Mounting Bracket through seat bottom by installing (2) M6-1.0 x 25mm Socket Head Cap Screws with (2) M6 Lock Washers. **See Diagram 6.**
17. Using a 4mm Allen Wrench, install the Adjustment Plate to Top Mounting Bracket using (2) M6-1 x 18mm Button Head Cap Screw and (2) 6mm Lock Washers and (2) 6mm Flat Washers. Hand tighten. **See Diagram 5.**
18. Using a 1/8" Allen Wrench, attach Backrest Mounting Bracket to Backrest Pad by installing (2) 10-32 x 1/2" Button Head Cap Screws into the (2) punched holes in rear of Backrest Pad (slight pressure may be required to start screws in Backrest Pad). Tighten screws.
19. Using a 3/16" Allen Wrench and a 7/16" wrench, install the Adjustable Tongue to the Top Mounting Bracket with the Big Bike Parts stamp facing forward using (1) 1/4-20 x 3" Socket Head Cap Screw and (1) 1/4-20 Nylock Lock Nut. Hand tighten to retain adjustability.
20. Using a 3/16" Allen Wrench and a 7/16" wrench, install Adjusting Bracket to Backrest Mounting Bracket on Backrest Pad with Big Bike Parts stamp facing rear of bike using (1) 1/4-20 x 2-3/4" Socket Head Cap Screw and (1) 1/4-20 Nylock Lock Nut. Hand tighten to retain adjustability.
21. Using a 4mm Allen wrench, attach adjustable tongue to adjusting bracket at desirable height using (2) M6-1.0 x 14mm Button Head Cap Screw and (2) 6mm Lock Washers. Tighten. **Review Diagram 6.**
22. To complete backrest installation, reinstall seat by reversing steps 2 and 3.
23. Move adjustment bracket to desired position and tighten all fasteners. Double-check all work. You are ready to ride.



Diagram 1

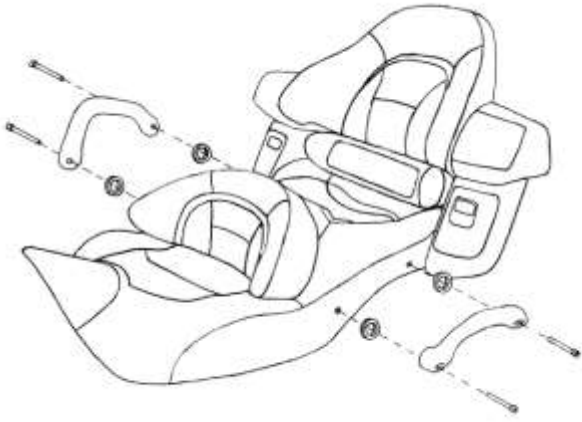


Diagram 2

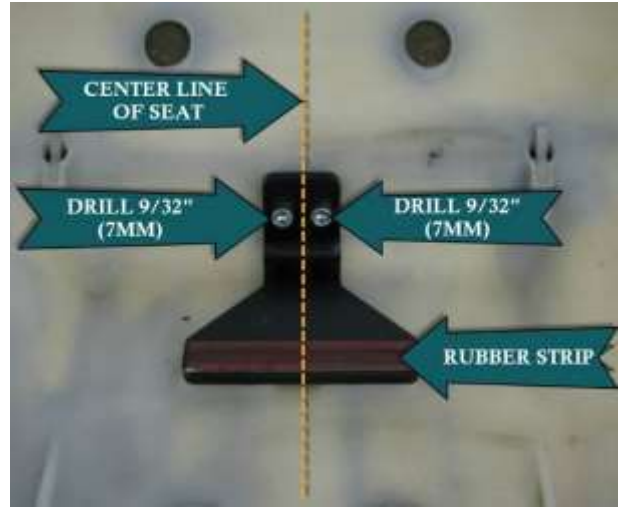


Diagram 3

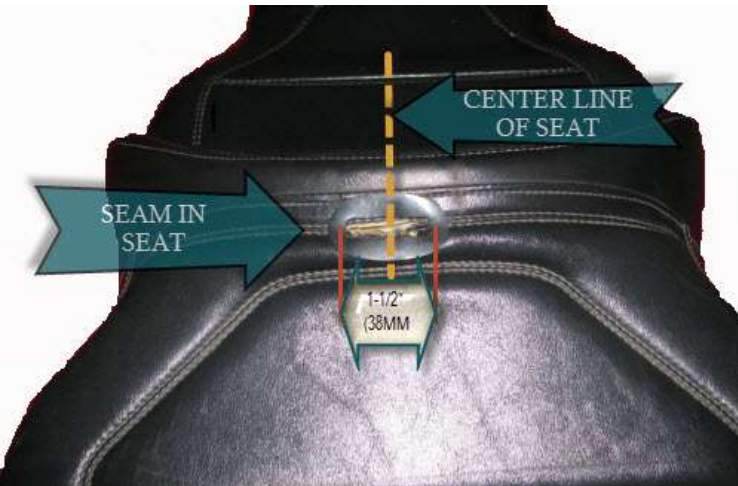


Diagram 4

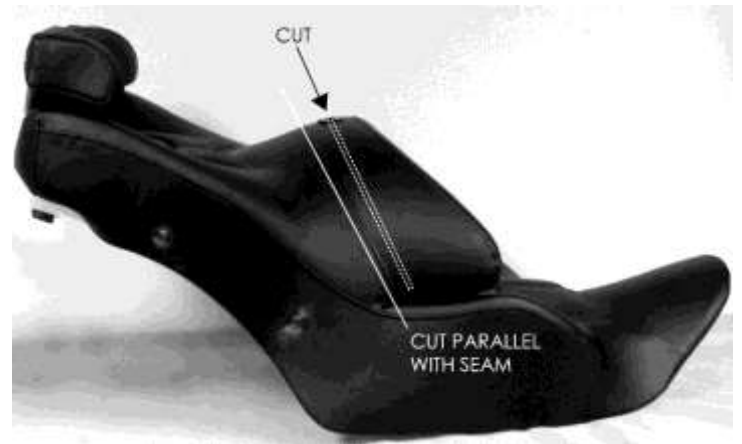


Diagram 5

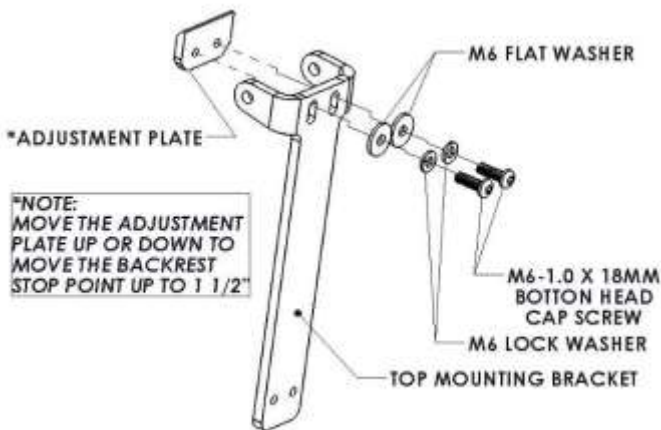


Diagram 6

