

BIG BIKE PARTS®

Copyright® 2016 by Big Bike Parts, Inc. No part of this instruction sheet may be reproduced without the written permission of Big Bike Parts, Inc.

3/18/2019

INSTALLATION INSTRUCTIONS

PART NO. 52-567A

REMOVABLE SMART MOUNT™ BACKREST

FITMENT:

HONDA GL1500 GOLDWING 1988-2000

TOOLS NEEDED:	DRILL	9/32" or 7MM DRILL BIT	6MM ALLEN WRENCH	1/8" ALLEN WRENCH	LINT FREE CLOTH
	9" SERRATED KNIFE	UTILITY KNIFE	5MM ALLEN WRENCH	3/16" ALLEN WRENCH	RUBBING ALCOHOL
	MEASURING TAPE	7/16" WRENCH	4MM ALLEN WRENCH		
HARDWARE INCLUDED:	BACKREST PAD	ADJUSTMENT PLATE	10-32 X 1/2" BUTTON HEAD CAP SCREW (2)	1/4-20 x 2-3/4" SOCKET HEAD CAP SCREW	
	REMOVABLE MOUNT	BOTTOM MOUNTING BRACKET	1/4-20 x 3" SOCKET HEAD CAP SCREW	1/4-20 NYLOCK NUT (2)	
	ADJUSTING BRACKET	RUBBER STRIP	M6 x 14MM BUTTON HEAD CAP SCREW (2)	M6 LOCK WASHER (6)	
	ADJUSTABLE TONGUE	RISER	M6 x 18MM BUTTON HEAD CAP SCREW (2)	M6 FLAT WASHER (2)	
	PROTECTIVE COVER	M8 JAM NUT (2)	M6 x 25MM SOCKET HEAD CAP SCREW (2)	M8 X 14MM BUTTON HEAD SCREW (2)	
	BACKREST MOUNTING BRACKET				

PLEASE READ THROUGH AND UNDERSTAND THESE INSTRUCTIONS BEFORE BEGINNING. ESTIMATED INSTALLATION TIME: 60 TO 90 MIN.

NOTE: REMOVABLE THREAD LOCK SHOULD BE USED ON ALL HARDWARE.

INSTALLATION:

1. Park bike on level surface and place on center stand.
2. Using a 6mm Allen Wrench, remove the 4 bolts in the passenger handles (2 in each handle). **See Diagram 1.**
3. Once handles are removed, lift seat to remove.
4. Turn seat upside-down on a work surface, place Bottom Mounting Bracket (Y-shaped) on underside of seat, nesting curve of Bottom Mounting Bracket along curve of seat bottom and center side to side.
5. Attach Rubber Strip to Bottom Mounting Bracket as shown. **See Diagram 2.**
6. Using Bottom Mounting Bracket as a template, mark locations of holes on seat base. **See Diagram 2.**
7. Remove Bottom Mounting Bracket to drill holes. Using a 9/32" (7MM) bit, drill holes through white plastic seat base according to marked locations from step 5. Remove any loose plastic from drilling.
8. After drilling holes, flip seat right-side up. Clean the upper driver's seat-back area with rubbing alcohol and a lint free cloth. **See Diagram 3.**
9. Locate centerline of seat. **See Diagram 3.**
10. Mark a location on seat-back top surface approximately 1-1/4" (32MM) back from front seams along centerline of seat. **See Diagram 3.**
11. Align Protective Cover (Rubber gasket) and remove backing from double-sided tape to affix to seat at marked location. **See Diagram 3.**
12. With Protective Cover secured, use a utility knife to make a 1-1/2" (38MM) wide slit in the vinyl seat covering. **See Diagram 3.**
Before proceeding, become familiar with steps 13-17 and accompanying Diagrams.
13. Using a long, serrated knife (a bread knife works well), cut down through the slit, gently cutting through the foam. Angle of cut should be approximately the same angle as the seams on the driver's seat back. The knife cut will create a guided path for the Riser and Removable Mount. **See Diagram 4.**
14. Push the knife down until it appears on the other side of the drilled holes in the seat base. Remove knife from seat.
15. Using a 4mm Allen Wrench, install the Adjustment Plate to Removable Mount using (2) M6-1 x 18mm Button Head Cap Screw and (2) 6mm Lock Washers and (2) 6mm Flat Washers. Hand tighten. **See Diagram 5.**
16. Attach the Removable Mount to the Riser using the two M8 x 14mm screws as shown in **diagram 6**. Screw the screws in far enough so that the Removable Mount and the Riser are snug but you can still slide them apart. Install the M8 jam nuts on the back side to hold the screws from turning.
17. Push the Removable Mount and Riser assembly down through knife cut and guide through path in seat foam until the M6 x 1.0 threaded holes in Riser align with the drilled holes in seat bottom.
18. Place Bottom Mounting Bracket in same location as in step 4, aligning holes in the seat bottom with the tapped holes at the end of Riser. Using a 5mm Allen Wrench, attach the Bottom Mounting Bracket to Riser through seat bottom by installing (2) M6-1.0 x 25mm Socket Head Cap Screws with (2) M6 Lock Washers. **See Diagram 6.**
19. Using a 1/8" Allen Wrench, attach Backrest Mounting Bracket to Backrest Pad by installing (2) 10-32 x 1/2" Button Head Cap Screws into the (2) punched holes in rear of Backrest Pad (slight pressure may be required to start screws in Backrest Pad). Tighten screws.
20. Using a 3/16" Allen Wrench and a 7/16" wrench, install the Adjustable Tongue to the Top Mounting Bracket with the Big Bike Parts stamp facing forward using (1) 1/4-20 x 3" Socket Head Cap Screw and (1) 1/4-20 Nylock Lock Nut. Hand tighten to retain adjustability.
21. Using a 3/16" Allen Wrench and a 7/16" wrench, install Adjusting Bracket to Backrest Mounting Bracket on Backrest Pad with Big Bike Parts stamp facing rear of bike using (1) 1/4-20 x 2-3/4" Socket Head Cap Screw and (1) 1/4-20 Nylock Lock Nut. Hand tighten to retain adjustability.
22. Using a 4mm Allen wrench, attach adjustable tongue to adjusting bracket at desirable height using (2) M6-1.0 x 14mm Button Head Cap Screw and (2) 6mm Lock Washers. Tighten. **Review Diagram 6.**
23. To complete backrest installation, reinstall seat by reversing steps 2 and 3.
24. Move adjustment bracket to desired position and tighten all fasteners.

Diagram 1

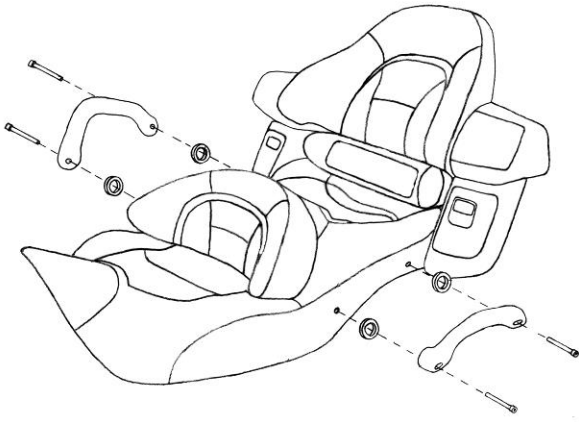


Diagram 2

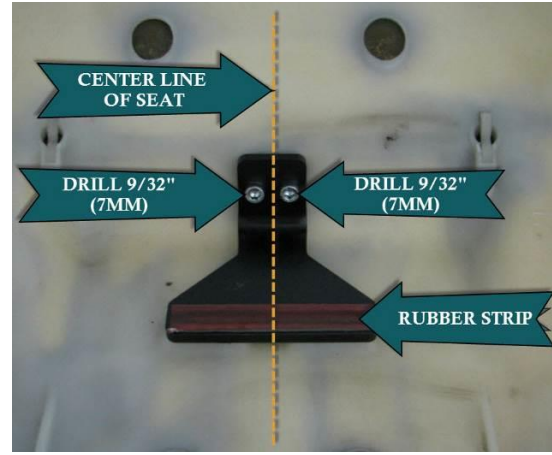


Diagram 3

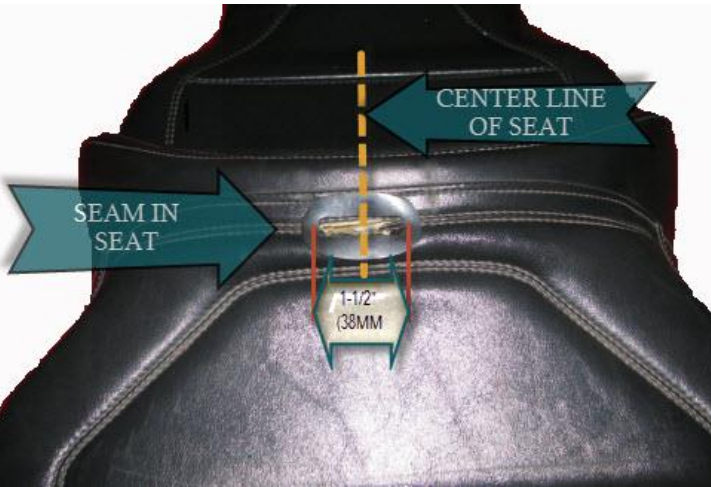


Diagram 4

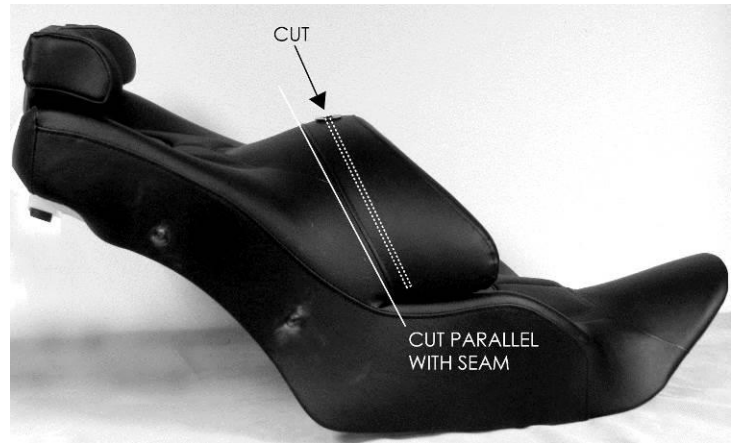


Diagram 5

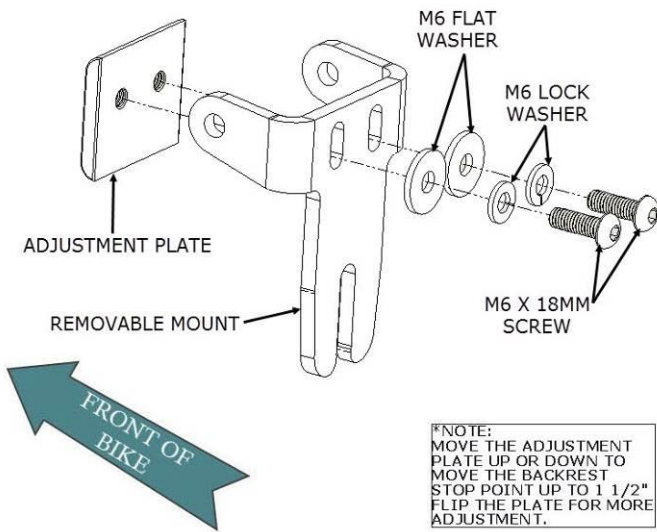
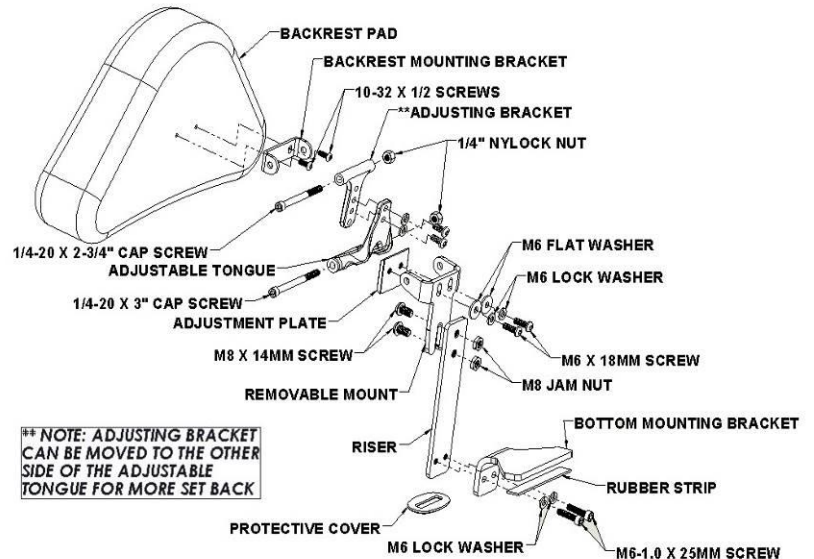


Diagram 6



WARNING

BACKREST IS DESIGNED TO SUPPORT RIDERS LOWER BACK WHEN RIDING. DO NOT APPLY EXCESSIVE FORCE BY PUSHING BACK WITH YOUR FULL BODY WEIGHT. DO NOT USE BACKREST TO LIFT OR SUPPORT MOTORCYCLE.

NOTICE

IGNORING THE CONTENTS OF THESE INSTRUCTIONS MAY AFFECT THE PRODUCT PERFORMANCE AND FUNCTIONALITY. NOT FOLLOWING THESE INSTRUCTION MAY CAUSE DAMAGE TO THE PRODUCT OR THE VEHICLE TO WHICH IT IS BEING ATTACHED.