

BIG BIKE PARTS® INSTALLATION INSTRUCTIONS

Copyright© 2005 by Big Bike Parts, Inc. No part of this instruction sheet may be reproduced without the written permission of Big Bike Parts, Inc.

TRUNK INNER LIGHT AND HARNESS WITH SWITCH

PART NO. 52-603 & 52-603WI

FOR GL1800 GOLDWING

REVISED 8/22/2012

ITEMS REQUIRED: PHILLIPS SCREWDRIVER, 5MM ALLEN WRENCH, 8MM WRENCH (01'-05"), AND 3/8", AND 5/8" DRILL BITS.

INSTALLATION:

1. DISCONNECT THE NEGATIVE BATTERY CABLE, AND MAKE SURE BIKE IS ON CENTER STAND.
2. USING PHILLIPS SCREWDRIVER REMOVE THE 4 SCREWS HOLDING THE TRUNK LATCHES AND THE 15 SCREWS HOLDING TRUNK INNER LID. (SEE FIG. 1)
3. UNPLUG THE TRUNK CONTROLLER AND SET THE LID ASIDE.
4. MOVE TO THE LEFT PASSANGER SPEAKER ASSEMBLY AND REMOVE THE 5 SCREWS HOLDING THE UPPER SPEAKER HOUSING TO THE LOWER SPEAKER HOUSING. UNPLUG THE SPEAKER AND SET ASIDE.
5. REMOVE THE HEX HEADS (01'-05") OR ALLEN HEAD SCREWS ON NEWER MODELS THAT ARE CONNECTING THE LOWER SPEAKER HOUSING TO THE TRUNK. (SEE FIG. 2)
6. LOCATE THE KEY SHAPED HOLE ON THE SPEAKER HOUSING. SEE FIG. 3. USING A 5/8" DRILL BIT DRILL THE EXISTING HOLE OUT TO 5/8".
7. ON 01'-05" MODELS DRILL ANOTHER 5/8" HOLE AS SHOWN IN FIG. 3. ON 06" AND NEWER MOVE THE SPEAKER WIRES OUT OF THE WAY AND DRILL THE SPEAKER WIRE HOLE OUT TO 5/8".
8. INSTALL THE SWITCH INTO THE 5/8" HOLE AS SHOWN IN FIG. 4. IF THE SWITCH IS TO LOOSE IN THE HOLE WRAP THE SWITCH WITH A SMALL STRIP OF ELECTRICAL TAPE AND PUSH IT INTO THE HOLE.
9. FEED THE END OF THE WIRING WITH THE 4 PIN CONNECTORS THROUGH THE OTHER HOLE IN THE SPEAKER HOUSING.
10. PLUG THE RED WITH A BLUE STRIPE WIRE INTO THE BLACK WIRE IN THE SWITCH. PLUG THE WHITE WITH A BLACK STRIPE WIRE INTO THE GREEN WIRE ON THE SWITCH.
11. LOOKING AT THE TRUNK LID FROM THE INSIDE LOCATE THE 2 EXISTING HOLES FOR MOUNTING THE MIRROR. (SEE FIG.5)
12. USING A 3/8" DRILL BIT DRILL A HOLE AS SHOWN IN FIG. 5 IN THE CENTER OF THE LEFT RECESSED AREA.
13. AS SHOWN IN FIG. 5 FEED THE WIRES FROM THE MIRROR THROUGH THE 3/8" HOLE IN THE TRUNK LID.
14. USING THE SCREWS THAT CAME WITH THE MIRROR (M5-.08 x15MM) ATTACH THE MIRROR TO THE INSIDE OF THE TRUNK LID. (SEE FIG. 5)
15. REINSTALL THE LEFT SIDE SPEAKER HOUSING.
16. FEED THE WIRING HARNESS UNDER THE TRUNK HINGE WIRE CLAMPS AND UP THROUGH THE CUTOUTS IN THE FRONT OF THE TRUNK.
17. CONNECT THE RED PLUG ON THE WIRING HARNESS TO THE OPEN RED PLUG IN THE TRUNK. ALSO CONNECT THE PLUGS FROM THE MIRROR TO THE 2 FEMALE CONNECTORS NEXT TO THE RED PLUG. (SEE FIG. 6)
18. REINSTALL THE UPPER SPEAKER HOUSING AND RECONNECT THE SPEAKER.
19. CONNECT THE GROUND CABLE ON THE BATTERY AND TEST THE LIGHT IN THE MIRROR. THE LIGHT SHOULD COME ON WHEN THE MIRROR IS OPENED AND IT SHOULD GO OUT WHEN YOU PUSH IN THE SWITCH IN THE SPEAKER HOUSING.
20. INSTALL THE TRUNK LID AND MAKE SURE THAT ALL WIRES ARE TUCKED IN SO THAT CLOSING THE TRUNK WILL NOT DAMAGE THEM.
21. NOTE: IF YOU HAVE A HONDA TRUNK LIGHT YOU WILL CONNECT IT TO THE 2 CONNECTORS LABELD "FOR HONDA TRUNK LAMP" IN FIG. 4.

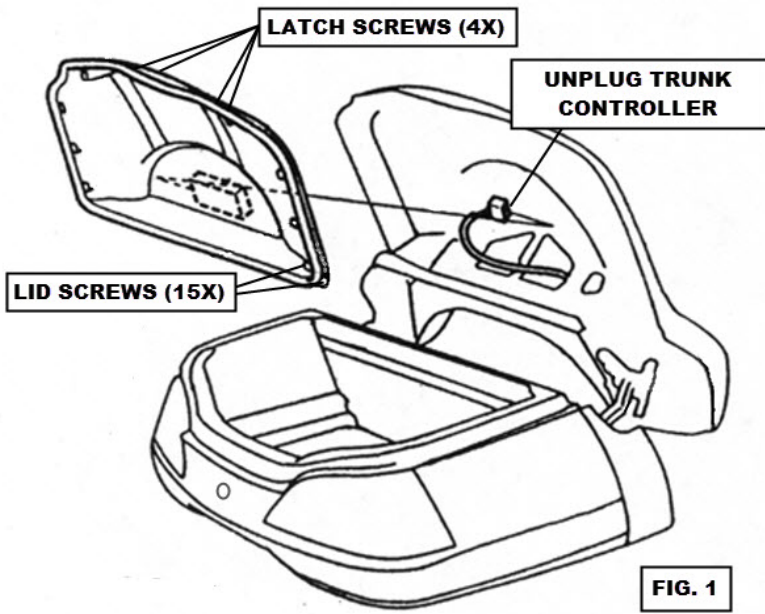


FIG. 1

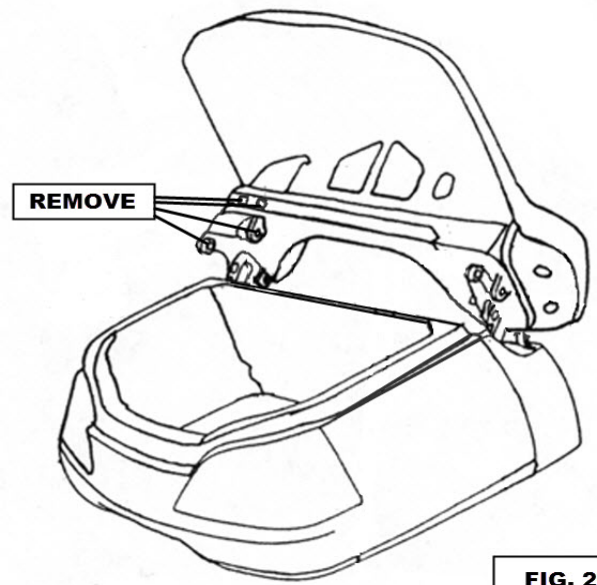


FIG. 2

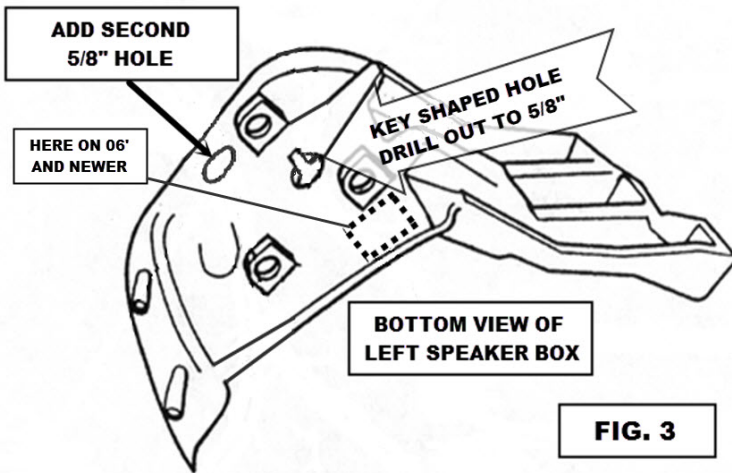


FIG. 3

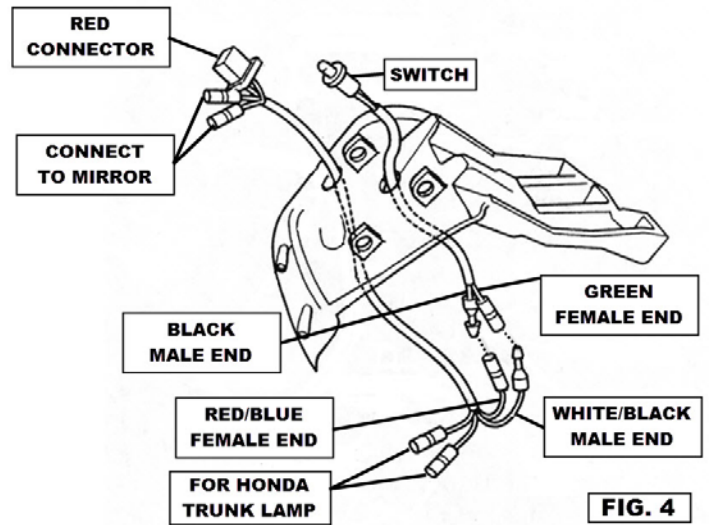


FIG. 4

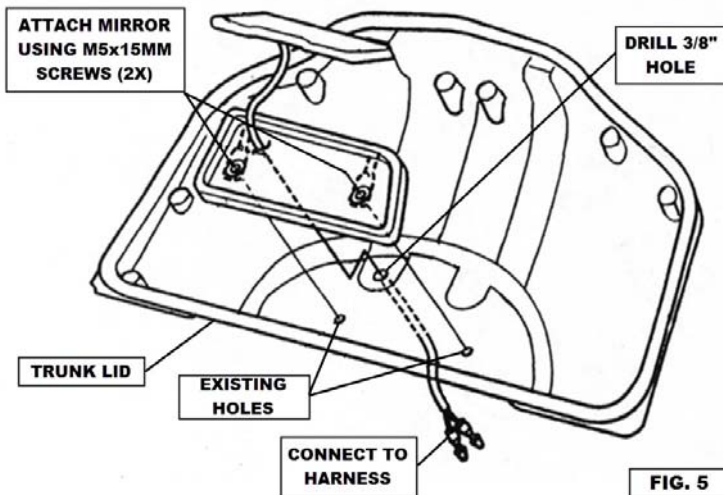


FIG. 5

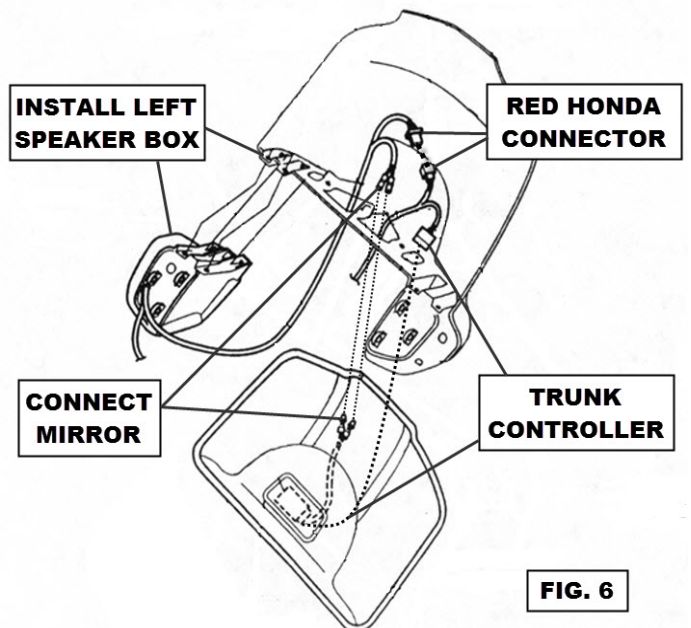


FIG. 6