

BIG BIKE PARTS® INSTALLATION INSTRUCTIONS

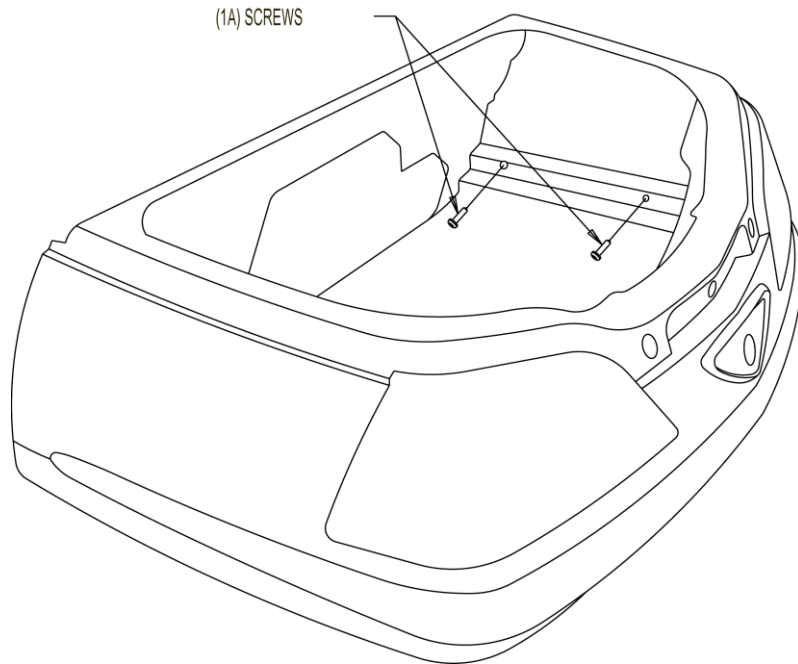
Copyright© 2012 by Big Bike Parts, Inc. No part of this instruction sheet may be reproduced without the written permission of Big Bike Parts, Inc.©

PART NO. TRUNK CUBBYHOLDS
52-690 HONDA GL1800 GOLDWING
2001-2010

REVISED: 5/16/2012

TOOLS REQUIRED: PHILLIPS SCREWDRIVER

1. REMOVE THE TWO SCREWS (1A) HOLDING THE TRUNK MOLDING IN PLACE.
2. PLACE THE CUBBYHOLD UP TO THE SIDE OF THE TRUNK AND INSTALL USING THE OEM (1A) SCREWS YOU REMOVED IN STEP 1.
3. REPEAT FOR OTHER SIDE.



BIG BIKE PARTS® INSTALLATION INSTRUCTIONS

Copyright© 2012 by Big Bike Parts, Inc. No part of this instruction sheet may be reproduced without the written permission of Big Bike Parts, Inc.©

PART NO. TRUNK CUBBYHOLDS
52-690 HONDA GL1800 GOLDWING
2001-2010

REVISED: 5/16/2012

TOOLS REQUIRED: PHILLIPS SCREWDRIVER

1. REMOVE THE TWO SCREWS (1A) HOLDING THE TRUNK MOLDING IN PLACE.
2. PLACE THE CUBBYHOLD UP TO THE SIDE OF THE TRUNK AND INSTALL USING THE OEM (1A) SCREWS YOU REMOVED IN STEP 1.
3. REPEAT FOR OTHER SIDE.

