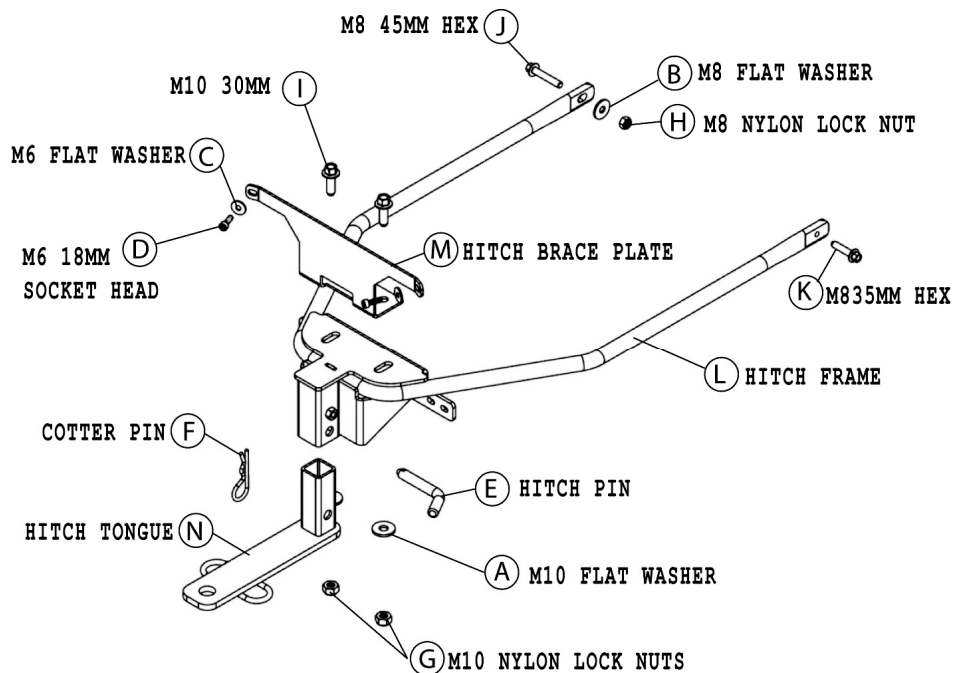


COMPONENTS:

- A (2) M10 FLAT WASHER
- B M8 FLAT WASHER
- C (2) M6 FLAT WASHER
- D (2) M6 - 1.0 X 18MM SOCKET HEAD SCREW
- E HARDENED HITCH PIN
- F HAIRPIN COTTER PIN
- G (2) M10 NYLON LOCK NUT
- H (2) M8 NYLON LOCK NUT
- I (2) M10 - 1.25 X 30MM HEAD FLANGE BOLT
- J M8 - 1.25 x 45mm HEX HEAD FLANGE BOLT
- K M8 - 1.25 X 35MM HEX HEAD FLANGE BOLT
- L HITCH FRAME
- M HITCH BRACE PLATE
- N HITCH TONGUE



INSTALLATION DIAGRAMS 52-825

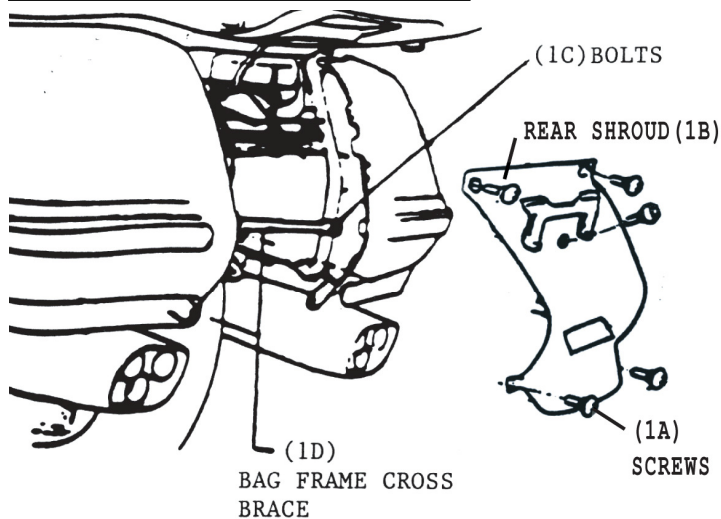
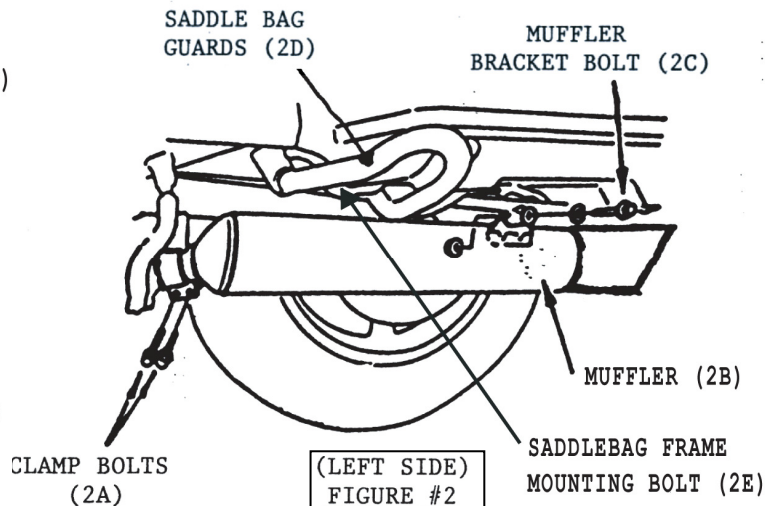


FIGURE #1



(LEFT SIDE)
FIGURE #2

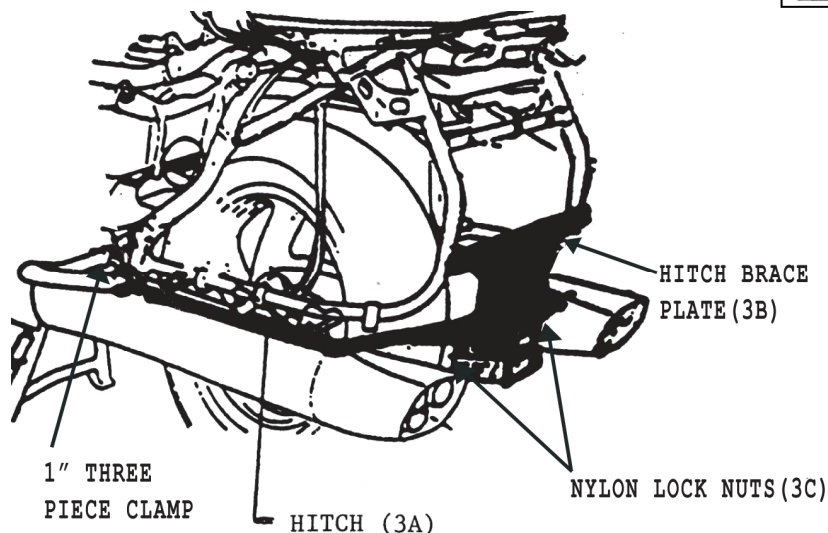


FIGURE # 3

