

Copyright © 2013 by Big Bike Parts, Inc. No part of this instruction sheet may be reproduced without the written permission of Big Bike Parts, Inc.

**PART NO. 52-828****UNIVERSAL HITCH RACK****TRAILER HITCH WITH 3/4" SHANK BALL**

8/30/2013

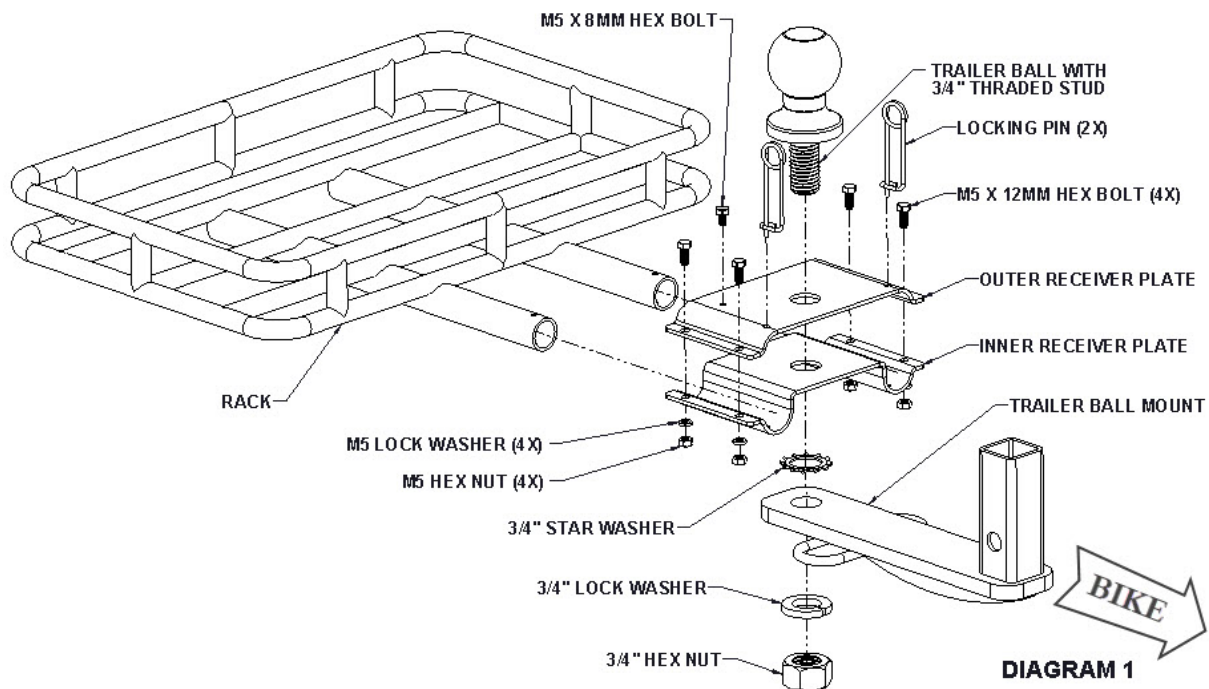
<b>TOOLS NEEDED:</b>	8MM WRENCH (2X)	1-1/8" SOCKET	TORQUE WRENCH – 160LBS CAP.	THREAD LOCK COMPOUND
<b>HARDWARE INCLUDED:</b>	OUTER RECEIVER PLATE INNER RECEIVER PLATE M5 X 12MM LONG HEX HEAD BOLT (4X)	M5 X 8MM LONG HEX HEAD BOLT M5 LOCK WASHER (4X) 3/4" STAR WASHER	M5 HEX NUT (4X) LOCKING PIN (2X)	

NOTE: THREAD LOCK COMPOUND SHOULD BE USED ON ALL HARDWARE

PLEASE READ THROUGH AND UNDERSTAND THESE INSTRUCTIONS BEFORE BEGINNING.

**ASSEMBLY**

- ASSEMBLE THE OUTER RECEIVER PLATE AND THE INNER RECEIVER PLATE TOGETHER. USING TWO 8MM WRENCHES INSTALL THE FOUR M5 X 12MM LONG HEX BOLTS AS SHOWN IN DIAGRAM 1.
- PLACE A M5 LOCK WASHER AND A M5 HEX NUT ON EACH BOLT AND TIGHTEN. THREAD LOCK COMPOUND IS RECOMMENDED ON EACH BOLT.
- REMOVE THE TRAILER BALL, 3/4" LOCK WASHER, AND 3/4" HEX NUT FROM THE BALL MOUNT ON YOUR MOTORCYCLE.
- PLACE THE 3/4" STAR WASHER SUPPLIED WITH THE KIT ON THE TOP OF THE TRAILER BALL MOUNT.
- PLACE THE RECEIVER ASSEMBLY JUST ASSEMBLED ON TOP OF THE STAR WASHER WITH THE 3/4" HOLE OFFSET TO THE BIKE SIDE AS SHOWN IN DIAGRAM 1.
- INSERT THE BALL THROUGH THE RECEIVER ASSEMBLY, THE STAR WASHER, AND THE TRAILER BALL MOUNT.
- REINSTALL THE 3/4" LOCK WASHER AND 3/4" HEX NUT ON THE BALL SHANK.
- USING A 1-1/8" SOCKET AND A TORQUE WRENCH TIGHTEN THE 3/4" HEX NUT TO 160 FOOT POUNDS. *THIS IS WHAT IS RECOMMENDED BY THE BALL MANUFACTURERS FOR ALL 3/4" SHANK DIAMETER TRAILER BALLS.*
- SLIDE THE RACK INTO THE RECEIVER AND INSTALL THE TWO LOCKING PINS THROUGH THE HOLES ON THE RECEIVER AND THROUGH THE HOLE ON THE RACK.
- USING AN 8MM WRENCH INSTALL THE M5 X 8MM LONG HEX BOLT IN THE OUTER RECEIVER PLATE AND TIGHTEN. NOTE: THIS IS A BOLT TO STOP RATTLING IF NEEDED. DOES NOT HAVE TO BE INSTALLED TO USE THE RACK.
- BIG BIKE PARTS RECOMMENDS CHECKING THE TORQUE ON THE BALL NUT AFTER EVERY USE.



Scan code with  
your smartphone  
to view video

