

Copyright © 2020 by Big Bike Parts, Inc. No part of this instruction sheet may be reproduced without the written permission of Big Bike Parts, Inc.

PART NO. 52-961E

PASSENGER FOOT BOARD RISER

FITMENT: HONDA GOLDWING 2019-NEWER

5/15/2020

TOOLS NEEDED: 5MM ALLEN WRENCH

3MM ALLEN WRENCH

2.5MM ALLEN WRENCH

PHILLIP SCREWDRIVER

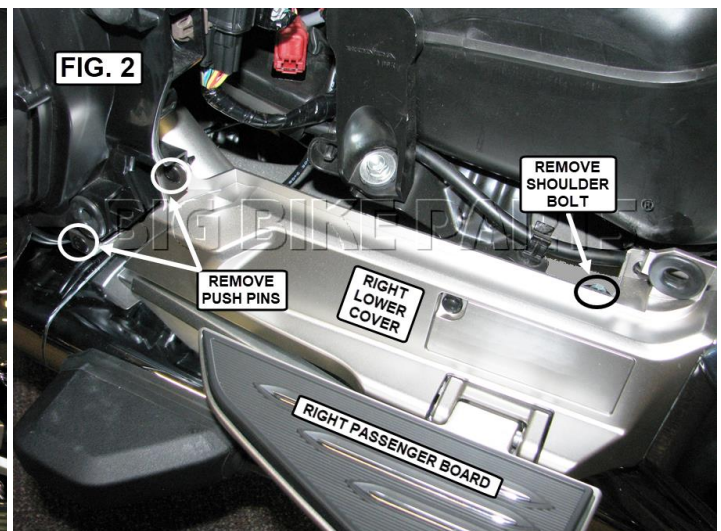
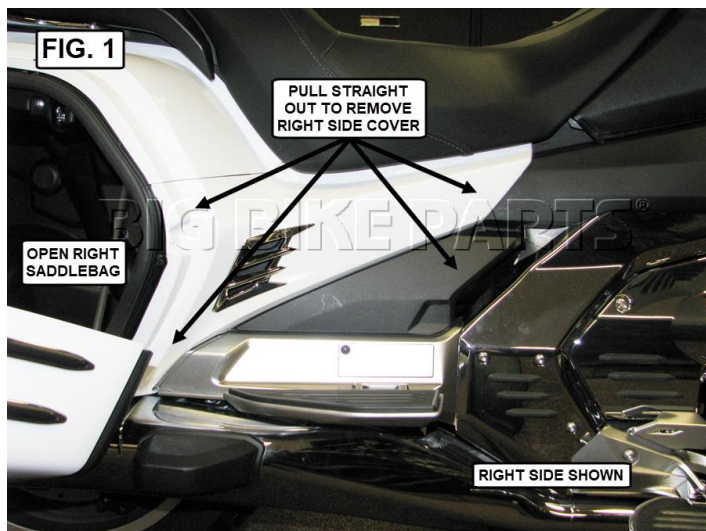
10MM SOCKET

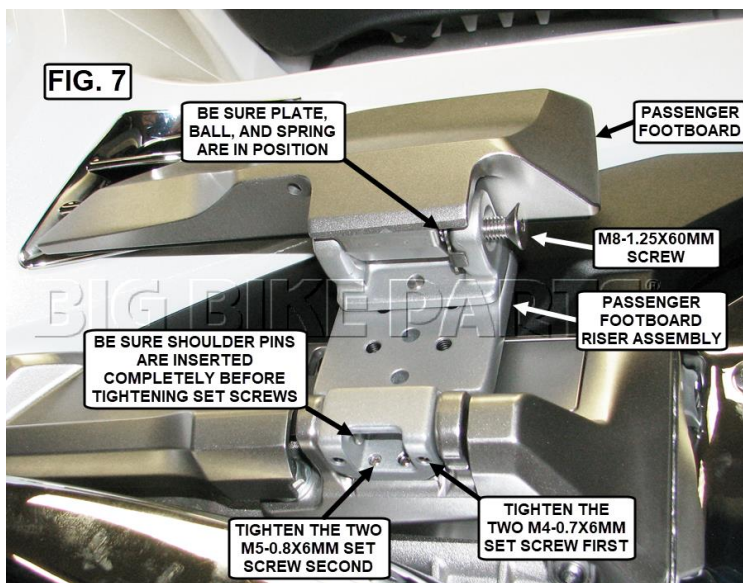
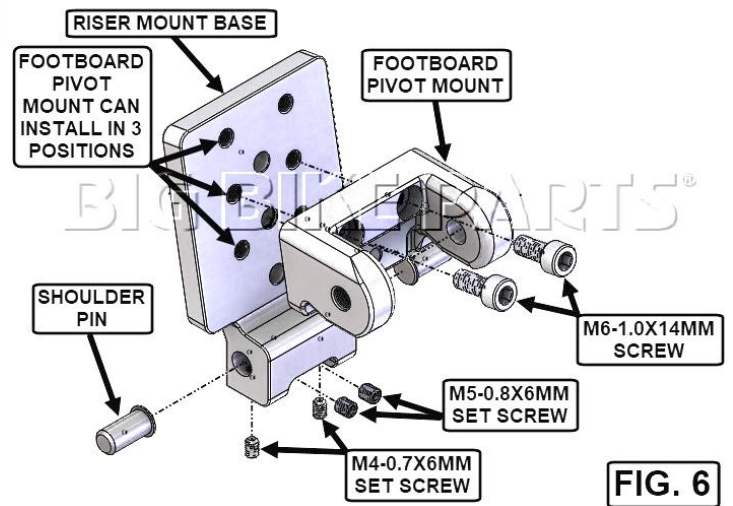
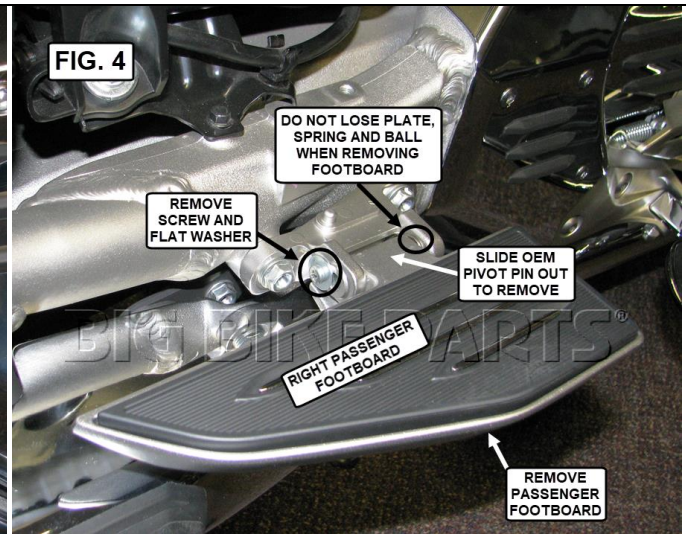
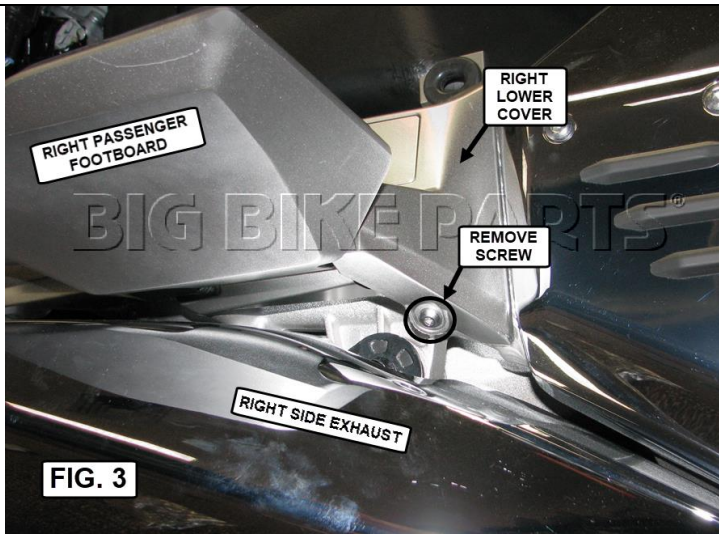
1/4" DRIVE SOCKET WRENCH

PLEASE READ THROUGH AND UNDERSTAND THESE INSTRUCTIONS BEFORE BEGINNING. *USE REMOVABLE THREAD LOCK ON ALL FASTENERS*
ESTIMATED INSTALLATION TIME: 45 TO 60 MIN.

INSTALLATION:

1. STARTING ON THE RIGHT SIDE, OPEN THE RIGHT SADDLEBAG AND REMOVE THE RIGHT SIDE COVER BY PULLING STRAIGHT OUT TO RELEASE IT FROM THE FOUR RUBBER GROMMETS (**FIG. 1**).
2. REMOVE THE TWO PUSH PINS SHOWN IN **FIG. 2** BY PRESSING THE CENTER IN AND PULLING THE PUSH PIN OUT.
3. REMOVE THE SHOULDER BOLT SECURING THE TOP OF THE RIGHT LOWER COVER SHOWN IN **FIG. 2**.
4. REMOVE THE SCREW SHOWN IN **FIG. 3** AND REMOVE THE RIGHT LOWER COVER.
5. REMOVE THE SCREW AND WASHER SHOWN IN **FIG. 4**. *SCREW AND WASHER WILL NOT BE REUSED.*
6. SLIDE THE OEM PIVOT PIN OUT TO REMOVE IT AND REMOVE THE PASSENGER FOOTBOARD (**FIG. 4**). **NOTE: BE SURE TO NOT LOSE THE PLATE, SPRING AND BALL (FIG. 4 & 5) WHEN REMOVING THE PASSENGER FOOTBOARD. OEM PIVOT PIN WILL NOT BE REUSED.**
7. REPEAT STEPS 1 THROUGH 4 IN REVERSE ORDER TO INSTALL THE SIDE COVER AND LOWER COVER BEFORE INSTALLING THE RISER.
8. ASSEMBLE THE PASSENGER FOOTBOARD PIVOT MOUNT AND RISER MOUNT BASE AS SHOWN IN **FIG. 6**. *THE FOOTBOARD PIVOT MOUNT CAN BE INSTALLED IN 3 POSITIONS: BOTTOM POSITION - 1-1/4" RISE, MIDDLE POSITION - 2" RISE, TOP POSITION - 2-3/4" RISE.*
9. INSTALL REMAINING HARDWARE ACCORDING TO **FIG. 6**. *(INSERT SHOULDER PINS FROM INSIDE OF RISER MOUNT BASE)*
10. INSTALL THE RIGHT PASSENGER FOOTBOARD RISER ON THE BIKE (**FIG. 7**). **NOTE: TO INSTALL, PUSH THE SHOULDER PINS TOWARDS THE CENTER OF THE RISER MOUNT BASE. SLIDE THE ASSEMBLY INTO THE OEM PIVOT MOUNT AND PUSH THE SHOULDER PINS OUT FROM THE CENTER INTO THE HOLES OF THE OEM PIVOT MOUNT.**
11. SECURE THE TWO SHOULDER PINS BY TIGHTENING THE TWO M4-0.7X6MM SET SCREWS SHOWN IN **FIG. 7**. **DO NOT OVER-TIGHTEN.**
12. TIGHTEN THE TWO M5-0.8X6MM SET SCREWS AGAINST THE OEM PIVOT MOUNT (**FIG. 7**). **DO NOT OVER-TIGHTEN.**
13. INSTALL THE OEM FOOTBOARD TO THE NEW FOOTBOARD PIVOT MOUNT USING THE M8-1.25X60MM SCREW SHOWN IN **FIG. 5**. **NOTE: BE SURE PLATE, BALL AND SPRING ARE IN POSITION SHOWN IN FIG. 5 ON THE PASSENGER FOOTBOARD WHEN INSTALLING.**





NOTICE

IGNORING THE CONTENTS OF THESE INSTRUCTIONS MAY AFFECT THE PRODUCT PERFORMANCE AND FUNCTIONALITY. NOT FOLLOWING THESE INSTRUCTION MAY CAUSE DAMAGE TO THE PRODUCT OR THE VEHICLE TO WHICH IT IS BEING ATTACHED.