

Copyright © 2019 by Big Bike Parts, Inc. No part of this instruction sheet may be reproduced without the written permission of Big Bike Parts, Inc.

PART NO. 52-962/52-962BK

FRAME COVERS

12/26/2019

FITMENT: HONDA GOLDWING 2019-NEWER

TOOLS NEEDED: 5MM ALLEN WRENCH

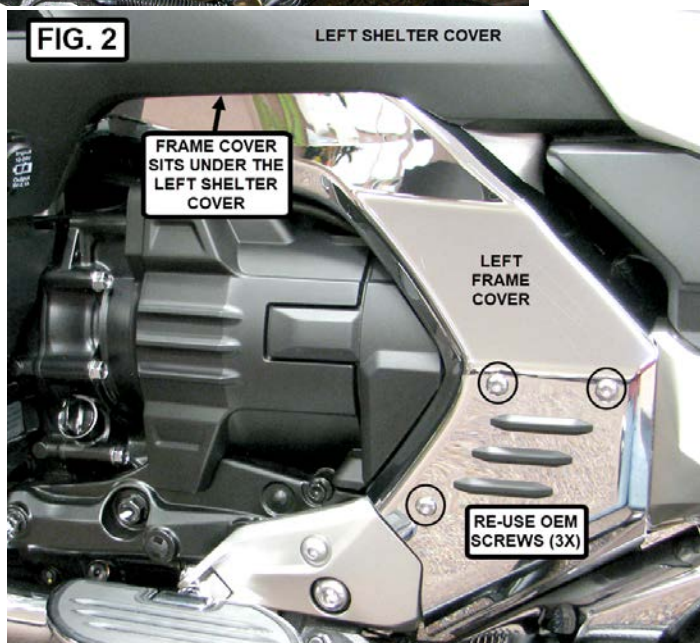
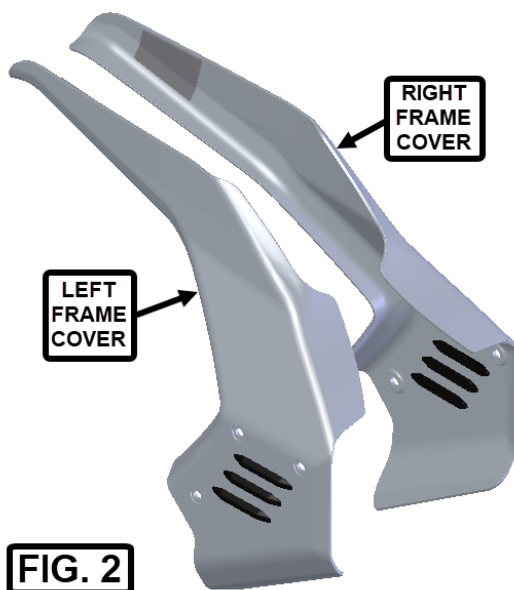
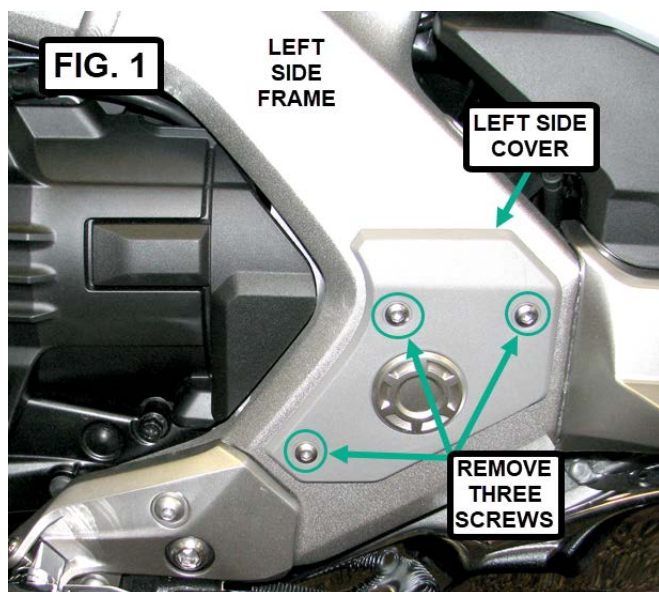
REMOVABLE THREAD LOCK

PLEASE READ THROUGH AND UNDERSTAND THESE INSTRUCTIONS BEFORE BEGINNING.

ESTIMATED INSTALLATION TIME: 10 TO 15 MIN.

INSTALLATION:

1. STARTING ON THE LEFT SIDE OF THE BIKE, REMOVE THE THREE SCREWS HOLDING THE LEFT SIDE OEM COVER AND REMOVE THE LEFT SIDE OEM COVER (FIG. 1).
2. USE FIG. 2 TO DETERMINE THE LEFT AND RIGHT SIDE FRAME COVERS. SET THE RIGHT SIDE FRAME COVER ASIDE FOR NOW.
3. SLIDE THE LEFT FRAME COVER UNDER THE LEFT SHELTER COVER ON THE BIKE AND ONTO THE FRAME (FIG. 3).
4. INSTALL THE THREE OEM SCREWS REMOVED IN STEP 1.
5. REPEAT STEPS 1 THROUGH 4 IN THE RIGHT SIDE.



NOTICE

IGNORING THE CONTENTS OF THESE INSTRUCTIONS MAY AFFECT THE PRODUCT PERFORMANCE AND FUNCTIONALITY. NOT FOLLOWING THESE INSTRUCTION MAY CAUSE DAMAGE TO THE PRODUCT OR THE VEHICLE TO WHICH IT IS BEING ATTACHED.