

BIG BIKE PARTS[®]

INSTALLATION INSTRUCTIONS

Copyright[®] 2006 by Big Bike Parts, Inc. No part of this instruction sheet may be reproduced without the written permission of Big Bike Parts, Inc.

PART NO. 53-122/53-122L

CONTOUR MINI DRIVING LIGHT KIT

FITMENT: HONDA VT750 ACE, VT1100 SABRE & AERO

11/17/2016

TOOLS NEEDED:	2MM ALLEN WRENCH	4MM ALLEN WRENCH	5MM ALLEN WRENCH	6MM ALLEN WRENCH	8MM ALLEN WRENCH
	10MM WRENCH	12MM WRENCH	13MM SOCKET WRENCH	PHILLIPS SCREWDRIVER	DRILL
	13/16" DRILL BIT	THREAD LOCKER	WIRE STRIPPER/CRIMPER	PENCIL/MARKER	

PLEASE READ THROUGH AND UNDERSTAND THESE INSTRUCTIONS BEFORE BEGINNING. USE REMOVABLE THREAD LOCK ON ALL FASTENERS.

ESTIMATED INSTALLATION TIME: 90 TO 120 MIN.

INSTALLATION: DIAGRAM 1

1. DISCONNECT THE NEGATIVE BATTERY CABLE.
2. USING PHILLIPS SCREWDRIVER, REMOVE THE TWO SCREWS ON THE SIDE OF THE HEADLIGHT AND REMOVE THE HEADLIGHT.
3. ON EACH FRONT OEM TURN SIGNAL FOLLOW THE WIRES INTO THE HEADLIGHT HOUSING AND DISCONNECT THEM (UNPLUG THE BULLET CONNECTORS).
4. USING 8MM WRENCH REMOVE THE OEM TURN SIGNALS AND THE MOUNT.
5. USING THE TWO M6 - 1.0 X 18MM LONG SOCKET HEAD CAP SCREWS AND LOCK WASHERS PROVIDED (B) INSTALL THE NEW MOUNTING PLATE (A) IN PLACE OF THE OEM TURN SIGNAL MOUNT. TIGHTEN SECURELY WITH A 5MM ALLEN WRENCH.
6. TAKE EACH MINI LIGHT AND ONE AT A TIME REMOVE THE SET SCREW (N) AND APPLY A DROP OF THREAD LOCK. REPEAT THIS FOR ALL 6 SET SCREWS.
7. INSTALL THE NEW MINI LIGHTS (E) ONTO THE LIGHT BAR (D) USING THE THREADED STEM (L) AND LOCK NUTS (F) PROVIDED WITH THE LIGHTS. POSITION THE LIGHTS. TIGHTEN WITH A 13MM SOCKET. (CONNECT THE GROUND WIRE WITH THE RING TERMINAL TO THE M6 - 1.0 X 20MM LONG (M) SOCKET HEAD CAP SCREW AND THE POSITIVE WIRE WITH BULLET CONNECTOR WILL GO INTO THE EXTRA HOLE ON TOP OF LIGHT BAR WILL HAVE TO REMOVE BULLET CONNECTOR TO FIT INTO HOLE).

NOTE: STEPS 8,9,11, 12,& 13 ARE FOR INSTALLING OEM TURN SIGNAL WITH PURCHASE OF 55-122T ADAPTER.

8. TO RELOCATE THE OEM TURN SIGNALS (G) REMOVE THEM FROM THE OEM MOUNTING BAR USING A #2 PHILLIPS SCREWDRIVER AND REMOVE THE L-BRACKETS USING A 5MM ALLEN WRENCH.
9. INSTALL EACH OEM TURN SIGNAL (G) ONTO THE TURN SIGNAL ADAPTER (H) ROUTING THE WIRES THROUGH THE EXTRA HOLE IN THE ADAPTER. THEN TIGHTEN THE M6 - 1.0 X 15MM LONG BUTTON SOCKET HEAD CAP SCREWS WITH A 5MM ALLEN WRENCH.
10. ROUTE THE TURN SIGNAL (G) WIRES AND THE MINI LIGHT (E) WIRE UNDER THE LIGHT BAR (D).
11. THE TURN SIGNAL ADAPTER (H) WITH OEM TURN SIGNAL (G) CAN BE POSITIONED INTO THE LOWER ENDS OF THE LIGHT BAR (D) AND SECURED WITH THE SET SCREWS (K), THE SHORT SET SCREWS GO IN THE BACK HOLES. THERE ARE THREE SET SCREWS ON EACH SIDE.

NOTE: THERE ARE THREE DIFFERENT SETS OF MOUNTING HOLES ON THE LIGHT BAR, THIS IS FOR ADJUSTABILITY BETWEEN BIKES. CHOOSE THE ONES THAT WILL GET THE LIGHT BAR CLOSEST TO THE FORKS WITHOUT HITTING ANYTHING.

12. USING THE M6 - 1.0 X 16MM LONG BUTTON SOCKET HEAD CAP SCREWS AND LOCK WASHERS (C) INSTALL THE LIGHT BAR (D) ONTO THE MOUNTING PLATE (A). TIGHTEN SECURELY WITH A 4 MM ALLEN WRENCH.
13. RE-ROUTE THE OEM TURN SIGNAL WIRES INTO THE HEADLIGHT HOUSING AND RECONNECT AS THEY WERE.
14. LOCATE YOUR BIKE'S BATTERY, FUSE BLOCK AND/OR ACCESSORY TERMINALS AND WIRE ACCORDING TO THE **DIAGRAM 2**.

NOTE: IF A 13-207/52-605/52-605L SWITCH BLOCK IS PURCHASED, STEPS C & E CAN BE SKIPPED AND PLUG ONE OF THE SWITCHES INTO THE RELAY.

- A) CONNECT THE BULLET CONNECTORS ON BLACK WIRES TO BULLET CONNECTORS ON LIGHT.
 - B) WIRE SMALL GREEN AND RED HARNESS WITH IN-LINE FUSE DIRECTLY TO BATTERY: RED (+) POSITIVE, GREEN (-) NEGATIVE.
 - C) FIND A CONVENIENT PLACE TO INSTALL THE SWITCH. DRILL A PILOT HOLE FIRST AND THEN DRILL A 13/16" HOLE. (CAN BE INSTALLED IN SIDE COVER.)
 - E) ROUTE WIRE HARNESS AND PLUG THE THREE SPADE CONNECTORS TO SWITCH PER DIAGRAM: (GREEN=GROUND: ORANGE=SUPPLY: BLUE=LEAD.)
 - G) CONNECT THE RING TERMINAL TO THE BATTERY GROUND AND SPLICE THE T-TAP INTO A KEYED POWER SOURCE AND CONNECT THE MALE SPADE.
 - H) CONNECT THE REMAINING FIVE LEADS (2 BLACK, 1 RED, 1 BLUE, AND 1 GREEN) TO THE RELAY PROVIDED AS PER DIAGRAM.
15. TEST LIGHTS FOR PROPER OPERATION BEFORE REINSTALLING ANY REMOVED SIDE COVERS, SEATS, ETC. SECURE THE RELAY TO KEEP FROM BOUNCING.
 16. USE THE ADHESIVE WIRE HOLDER TO HOLD THE WIRES UNDERNEATH THE LIGHT BAR AND OUT OF SIGHT.

DIAGRAM 1

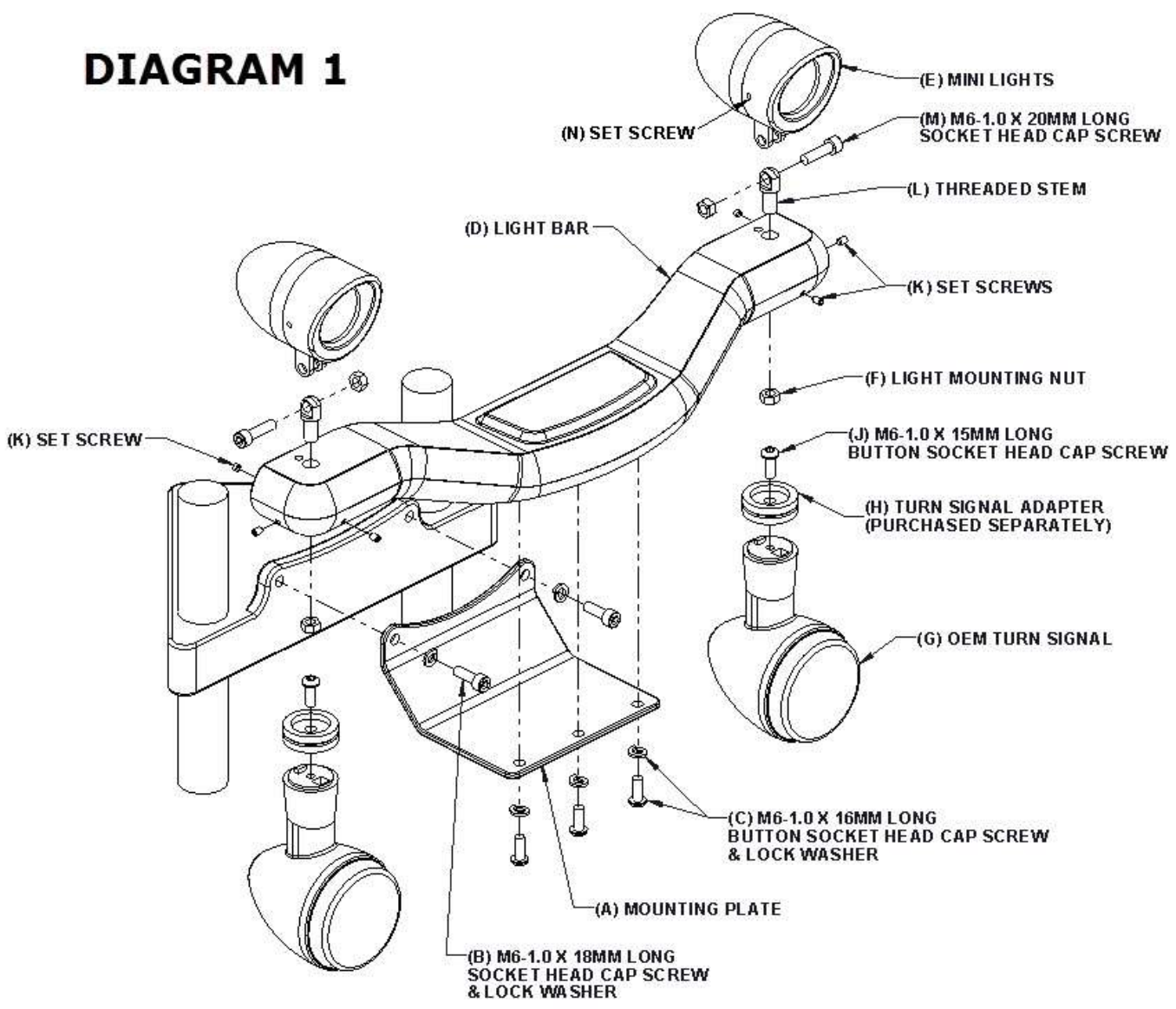


DIAGRAM 2

