

BIG BIKE PARTS[®]

INSTALLATION INSTRUCTIONS

Copyright © 2016 by Big Bike Parts, Inc. No part of this instruction sheet may be reproduced without the written permission of Big Bike Parts, Inc.

PART NO. 53-456L

CONTOUR LED DRIVING LIGHT BAR KIT

10/7/2016

FITMENT:

HONDA VT750 SHADOW AERO,
SPIRT C2 SHAFT DRIVE, PHANTOM, R/S

TOOLS NEEDED:	SCREWDRIVER	2MM ALLEN WRENCH	4MM ALLEN WRENCH	5MM ALLEN WRENCH	8MM WRENCH
6MM ALLEN WRENCH	10MM WRENCH	13MM SOCKET WRENCH	DRILL	13/16" DRILL BIT	THREAD LOCK COMPOUND

PLEASE READ THROUGH AND UNDERSTAND THESE INSTRUCTIONS BEFORE BEGINNING. USE REMOVABLE THREAD LOCK ON ALL FASTENERS.

ESTIMATED INSTALLATION TIME: 60 TO 90 MIN.

INSTALLATION:

1. DISCONNECT THE NEGATIVE BATTERY CABLE.
2. USING AN 8MM WRENCH, REMOVE THE TWO SCREWS ON THE SIDE OF THE HEADLIGHT HOUSING AND REMOVE THE HEADLIGHT.
3. ON EACH OEM TURN SIGNAL FOLLOW THE WIRES INTO THE HEADLIGHT HOUSING AND DISCONNECT THEM. UNPLUG THE ORANGE AND BLUE CONNECTORS.
4. USING 12MM WRENCH REMOVE THE TWO NUTS (B) UNDER THE LOWER FORK ASSEMBLY WHICH HOLD THE OEM HEADLIGHT BRACKET. *(THESE BOLTS WILL NOT BE REUSED, BUT THE NUTS (B) WILL)*
5. REMOVE THE CHROME TURN SIGNAL HOUSING AND MAKE SURE TO PULL THE TURN SIGNAL WIRES THROUGH THE HEADLIGHT HOUSING.
6. USING THE 8MM WRENCH REMOVE THE TWO BOLTS THAT HOLD THE MOUNTING PLATE TO THE TURN SIGNAL HOUSING. *(THESE BOLTS WILL NOT BE REUSED.)*

NOTE: STEPS 7, 8, 9, 10, 14, 15, 16, & 17 ARE FOR INSTALLING OEM TURN SIGNAL WITH PURCHASE OF 55-122T ADAPTERS.

7. USING THE 8MM WRENCH REMOVE THE TWO BOLTS GOING THROUGH THE FRONT OF THE TURN SIGNAL HOUSING. *(THESE BOLTS WILL NOT BE REUSED.)*
8. USING A PHILLIPS SCREWDRIVER REMOVE THE TWO SCREWS HOLDING EACH TURN SIGNAL INTO THE HOUSING. *(THESE SCREWS WILL NOT BE REUSED.)*
9. PULL THE TURN SIGNALS OUT OF THE HOUSING AND PULL THE WIRES ALL THE WAY OUT TOO.
10. USING A 5MM ALLEN WRENCH REMOVE THE BRACKET FROM THE TURN SIGNAL. MAKE SURE YOU MARK THE TURN SIGNALS LEFT AND RIGHT TO GET THEM ON THE NEW LIGHT BAR CORRECTLY.
11. PUT THE NEW M8 - 1.25 X 55MM LONG HEX HEAD FLANGE SCREWS (A) PROVIDED IN THE HEADLIGHT BRACKET AND THROUGH THE FORK BRACKET.
12. INSTALL THE MOUNTING PLATE (E) TO THE FORKS USING SPACERS (J) PROVIDED AND THE NUTS (B) REMOVED IN STEP 4. (THE SPACERS GO BETWEEN THE FORKS AND THE MOUNTING PLATE (E).
13. INSTALL THE NEW LED LIGHTS (I) ONTO THE LIGHT BAR (D) USING THE THREADED STEM (P) AND LOCK NUTS (F) PROVIDED WITH THE LIGHTS. POSITION THE LIGHTS. TIGHTEN WITH A 13MM SOCKET. (CONNECT THE GROUND WIRE WITH THE RING TERMINAL TO THE M6 - 1.0 X 20MM LONG (O) SOCKET HEAD CAP SCREW AND THE POSITIVE WIRE WITH BULLET CONNECTOR WILL GO INTO THE EXTRA HOLE ON TOP OF LIGHT BAR WILL HAVE TO REMOVE BULLET CONNECTOR TO FIT INTO HOLE.)
14. INSTALL EACH OEM TURN SIGNAL (G) ONTO THE TURN SIGNAL ADAPTER (H) ROUTING THE WIRES THROUGH THE EXTRA HOLE IN THE ADAPTER. THEN USING THE M6 X1.0 X 15MM LONG BUTTON SOCKET HEAD CAP SCREW (L) SECURE THE TURN SIGNAL TO THE ADAPTER.
15. ROUTE THE OEM TURN SIGNAL WIRES AND LED LIGHT WIRE UNDER THE LIGHT BAR (D). YOU MAY HAVE TO CUT OFF THE OEM CONNECTOR AND RE-CONNECT THEM AFTER THEY ARE ROUTED.
16. THE TURN SIGNAL ADAPTER (H) WITH OEM TURN SIGNAL (G) CAN BE POSITIONED INTO THE LOWER ENDS OF THE LIGHT BAR (D) AND SECURED WITH THE SET SCREWS (K) THE SHORT SET SCREWS GO IN THE BACK HOLES. THERE ARE THREE SET SCREWS ON EACH SIDE.

NOTE: THERE ARE THREE DIFFERENT SETS OF MOUNTING HOLES ON LIGHT BAR THIS IS FOR ADJUSTABILITY BETWEEN BIKES. CHOOSE THE ONES THAT WILL GET THE LIGHT BAR CLOSEST TO THE FORKS WITHOUT HITTING ANYTHING.

17. USING THE M6 - 1.0 X 16MM LONG BUTTON SOCKET HEAD CAP SCREWS AND LOCK WASHERS (C) ATTACH THE LIGHT BAR (D) ONTO THE MOUNTING PLATE (E). TIGHTEN SECURELY WITH A 4MM ALLEN WRENCH.
18. RE-ROUTE THE TURN SIGNAL WIRES INTO THE HEADLIGHT HOUSING AND RE-CONNECT AS THEY WERE.
19. LOCATE YOUR BIKE'S BATTERY, FUSE BLOCK AND /OR ACCESSORY TERMINALS AND WIRE ACCORDING TO THE DIAGRAM ON BACK.

NOTE: IF A 13-207/52-605 SWITCH BLOCK IS PURCHASED, STEPS C & E CAN BE SKIPPED AND PLUG ONE OF THE SWITCHES INTO THE RELAY.

- A. CONNECT THE BLACK WIRES TO THE CONNECTORS ON EACH LIGHT. THE OTHER ENDS OF THE BLACK WIRES CONNECT TO THE RELAY AS SHOWN IN THE DIAGRAM. THE RELAY CAN BE LOCATED UNDER THE SIDE COVER OR SEAT. THE WIRES CAN BE ROUTED THROUGH THE LIGHT BAR AND UNDER THE FUEL TANK OR ALONG THE INSIDE OF THE FRAME TO KEEP THEM OUT OF SIGHT.
- B. THE WIRE HARNESS WITH THE RED AND GREEN WIRES CONNECTS THE BATTERY TO THE RELAY. THIS HARNESS ALSO HAS AN INLINE FUSE ON THE RED WIRE. THE ENDS WITH THE RING TERMINALS SHOULD BE PLACED UNDER THE SCREWS THAT HOLD THE BATTERY CABLES TO THE BATTERY TERMINALS. CONNECT THE OTHER ENDS OF THE HARNESS TO THE RELAY AS SHOWN IN THE DIAGRAM.

NOTE: IF A BIG BIKE PARTS ACCESSORY SWITCH BLOCK (13-207 OR 52-605) HAS BEEN PURCHASED YOU CAN USE THIS TO CONTROL THE LIGHTS IN PLACE OF THE SWITCH THAT HAS BEEN SUPPLIED WITH THE DRIVING LIGHT KIT. FOLLOW THE WIRING INSTRUCTIONS IN THE SWITCH BLOCK KIT FOR DIRECTIONS ON CONNECTING THE SWITCH BOX TO THE RELAY AND OMIT STEPS C, D AND E BELOW.

- C. FIND A CONVENIENT PLACE TO INSTALL THE SWITCH. DRILL A SMALL PILOT HOLE FIRST AND THEN DRILL IT OUT LARGER WITH A 13/16" DRILL BIT. THE SIDE COVER MAY BE A GOOD LOCATION FOR THE SWITCH.
- D. THE WIRE HARNESS WITH THREE WIRES (ORANGE, BLUE, AND GREEN) CONNECTS TO THE SWITCH. THE END OF THE HARNESS WITH THE THREE PUSH ON CONNECTORS GOES TO THE TERMINALS OF THE SWITCH AS SHOWN IN THE DIAGRAM.
- E. FROM THE SWITCH, THE GREEN WIRE CAN BE CONNECTED TO THE NEGATIVE TERMINAL OF THE BATTERY. THE BLUE WIRE CONNECTS TO THE RELAY AS SHOWN IN THE DIAGRAM. THE ORANGE WIRE WILL NEED TO CONNECT TO A KEYED POWER SOURCE. A KEYED POWER SOURCE IS A WIRE THAT HAS

POWER ONLY WHEN THE KEY IS IN THE "ACCESSORY" OR "ON" POSITION. WHEN A KEYED POWER SOURCE WIRE IS FOUND, CLAMP THE T-TAP CONNECTOR TO THE WIRE AND THEN CONNECT THE ORANGE WIRE TO THE T-TAP.

F. ROUTE THE BARE ENDED WIRES ON EACH LIGHT THROUGH THE LIGHT BAR AND OUT THE MIDDLE HOLE. ATTACH RING TERMINALS TO THE BARE ENDS OF THE WIRES AND THEN PLACE THEM UNDER THE M6-1.0 X 16MM MOUNTING SCREWS UNDER THE LIGHT BAR. TIGHTEN THE SCREWS SECURELY TO INSURE THAT THE LIGHTS HAVE A GOOD GROUND.

20. TEST LIGHTS FOR PROPER OPERATION BEFORE REINSTALLING ANY REMOVED SIDE COVERS, SEATS, ETC. SECURE RELAY TO KEEP FROM BOUNCING.

21. USE THE ADHESIVE WIRE HOLDER TO HOLD WIRE UNDERNEATH THE LIGHT BAR AND OUT OF SIGHT.

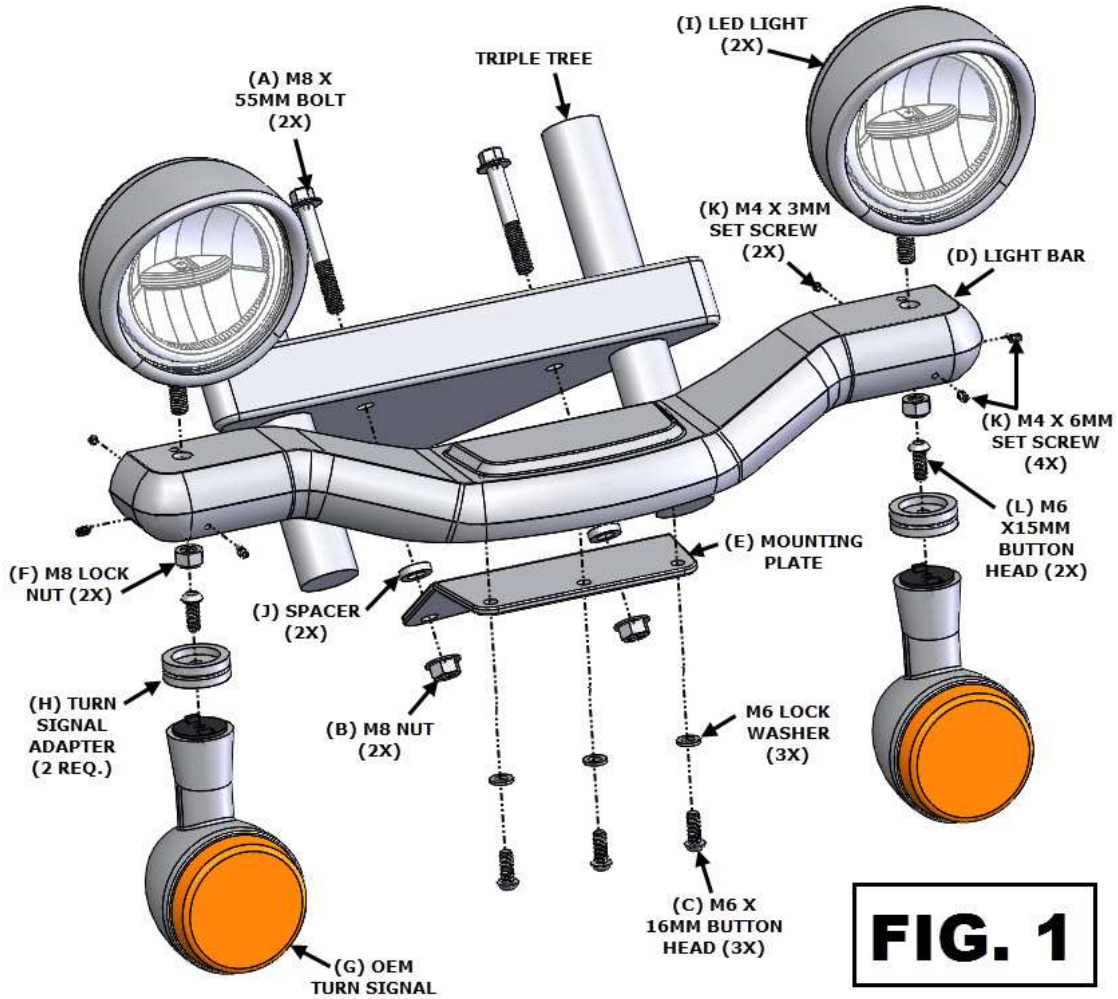


FIG. 1

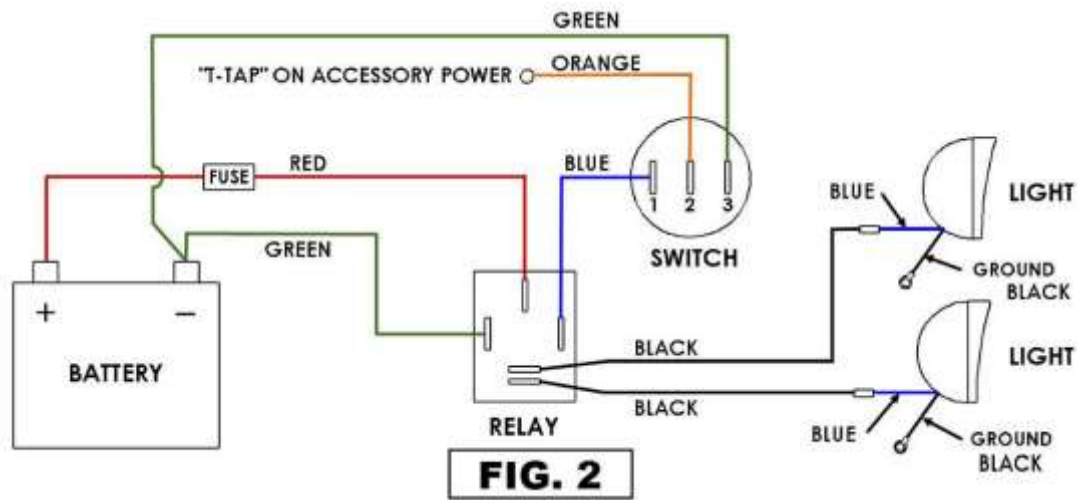


FIG. 2