

Copyright © 2005 by Big Bike Parts, Inc. No part of this instruction sheet may be reproduced without the written permission of Big Bike Parts, Inc.

PART NO. 55-333/55-333L

ELLIPTICAL MINI DRIVING LIGHT KIT

FITMENT: HONDA VTX1800, VALKYRIE, VTX1300 C/R/S

11/17/2016

TOOLS NEEDED:	PHILLIPS SCREWDRIVER	2MM ALLEN WRENCH	4MM ALLEN WRENCH	5MM ALLEN WRENCH	6MM ALLEN WRENCH
	10MM WRENCH	12MM WRENCH	13MM SOCKET WRENCH	DRILL	13/16" DRILL BIT
	WIRE CUTTER/CRIMPER	THREAD LOCKER	PENCIL/ MARKER		

PLEASE READ THROUGH AND UNDERSTAND THESE INSTRUCTIONS BEFORE BEGINNING. USE REMOVABLE THREAD LOCK ON ALL FASTENERS.

ESTIMATED INSTALLATION TIME: 90 TO 120 MIN.

INSTALLATION: DIAGRAM 1

- DISCONNECT THE NEGATIVE BATTERY CABLE.
- USING PHILLIPS SCREWDRIVER, REMOVE THE TWO SCREWS ON THE SIDE OF THE HEADLIGHT AND REMOVE THE HEADLIGHT.
- USING 13MM WRENCH REMOVE THE TWO NUTS UNDER THE LOWER FORK ASSEMBLY WHICH HOLD THE OEM HEADLIGHT BRACKET. (THESE NUTS WILL NOT BE REUSED)
- INSTALL THE TWO LONG EXTENSION NUTS (C) IN PLACE OF THE OEM NUTS AND TIGHTEN SECURELY WITH A 12MM WRENCH.
- USING THE TWO M8 - 1.25 X 20MM LONG SOCKET HEAD CAP SCREWS AND LOCK WASHERS PROVIDED (D) ATTACH MOUNTING PLATE (E) ONTO THE EXTENSION NUTS (C) AND TIGHTEN USING 6MM ALLEN WRENCH.
- TAKE EACH MINI LIGHT AND ONE AT A TIME REMOVE THE SET SCREW (Q) AND APPLY A DROP OF THREAD LOCK. REPEAT THIS FOR ALL 6 SET SCREWS.
- INSTALL THE MINI LIGHTS (H) ONTO THE LIGHT BAR (G) USING THE THREADED STEM (P) AND LOCK NUTS. (J) PROVIDED WITH THE LIGHTS. POSITION THE LIGHTS. TIGHTEN WITH A 13MM SOCKET. (CONNECT THE GROUND WIRE WITH THE RING TERMINAL TO THE M6 - 1.0 X 20MM LONG SOCKET HEAD CAP SCREW (O) AND THE HOT WIRE WITH BULLET CONNECTOR WILL GO INTO THE EXTRA HOLE ON TOP OF LIGHT BAR.)

NOTE: STEPS 8,9,11, 12,& 13 USE FOR INSTALLING OEM TURN SIGNALS WITH PURCHASE OF 55-122T ADAPTERS.

- TO RELOCATE THE OEM TURN SIGNALS (K) REMOVE THEM USING A 5MM ALLEN WRENCH, UNPLUG THE WIRE LEADS THAT GO INTO THE HEADLIGHT HOUSING.
- INSTALL EACH OEM TURN SIGNAL (K) ONTO THE TURN SIGNAL ADAPTER (L) ROUTING THE WIRES THROUGH THE EXTRA HOLE IN THE ADAPTER. THEN USING THE M6 - 1.0 X 15 MM LONG BUTTON SOCKET HEAD CAP SCREW (M) TIGHTEN WITH A 5MM ALLEN WRENCH.
- ROUTE THE TURN SIGNAL WIRES AND MINI LIGHT WIRE UNDER THE LIGHT BAR (G).
- 10.THE TURN SIGNAL ADAPTER (L) WITH OEM TURN SIGNAL (K) CAN BE POSITIONED INTO THE LOWER ENDS OF THE LIGHT BAR (G) AND SECURED WITH THE SET SCREWS (N) THE SHORT SET SCREWS GO IN THE BACK HOLES. THERE ARE THREE SET SCREWS ON EACH SIDE.
- USING THE M6 - 1.0 X 16MM LONG BUTTON SOCKET HEAD CAP SCREWS AND LOCK WASHERS PROVIDED (F) INSTALL THE LIGHT BAR (G) ONTO THE MOUNTING PLATE (E). TIGHTEN SECURELY WITH A 4MM ALLEN WRENCH.
- RE-ROUTE THE TURN SIGNAL WIRES INTO THE HEADLIGHT HOUSING AND RE-CONNECT AS THEY WERE.
- LOCATE YOUR BIKE'S BATTERY, FUSE BLOCK, AND/OR ACCESSORY TERMINALS AND WIRE ACCORDING TO **DIAGRAM 2**.

NOTE: IF A 13-207/52-605/52-605L SWITCH BLOCK IS PURCHASED, STEPS C & E CAN BE SKIPPED AND PLUG ONE OF THE SWITCHES INTO THE RELAY.

- CONNECT THE BULLET CONNECTORS ON BLACK WIRES TO THE BULLET CONNECTORS FROM LIGHTS.
 - WIRE SMALL GREEN AND RED HARNESS WITH IN-LINE FUSE DIRECTLY TO BATTER: RED (+) POSITIVE, GREEN (-) NEGATIVE.
 - FIND A CONVENIENT PLACE TO INSTALL THE SWITCH. DRILL A PILOT HOLE FIRST AND THEN DRILL A 13/16" HOLE.
 - ROUTE WIRE HARNESS AND PLUG THREE SPADE CONNECTORS TO SWITCH PER DIAGRAM: (GREEN=GROUND, ORANGE=SUPPLY, BLUE=LEAD.)
 - CONNECT THE RING TERMINAL TO THE BATTERY GROUND AND SPLICE THE T-TAP INTO A KEYED POWER SOURCE AND CONNECT THE MALE SPADE.
 - CONNECT THE REMAINING FIVE LEADS (2 BLACK, 1 RED, 1 BLUE, AND 1 GREEN) TO THE RELAY PROVIDE AS PER DIAGRAM.
- TEST LIGHTS FOR PROPER OPERATION BEFORE REINSTALLING ANY REMOVED SIDE COVERS, SEATS, ETC. SECURE RELAY TO KEEP FROM BOUNCING. SEE THAT ALL FITTINGS, SCREWS, ETC. ARE SECURE, INCLUDING THE MINI HALOGEN VISOR SET SCREWS.
 - USE ADHESIVE WIRE HOLDER TO HOLD WIRE UNDERNEATH THE LIGHT BAR AND OUT OF SIGHT.

DIAGRAM 1

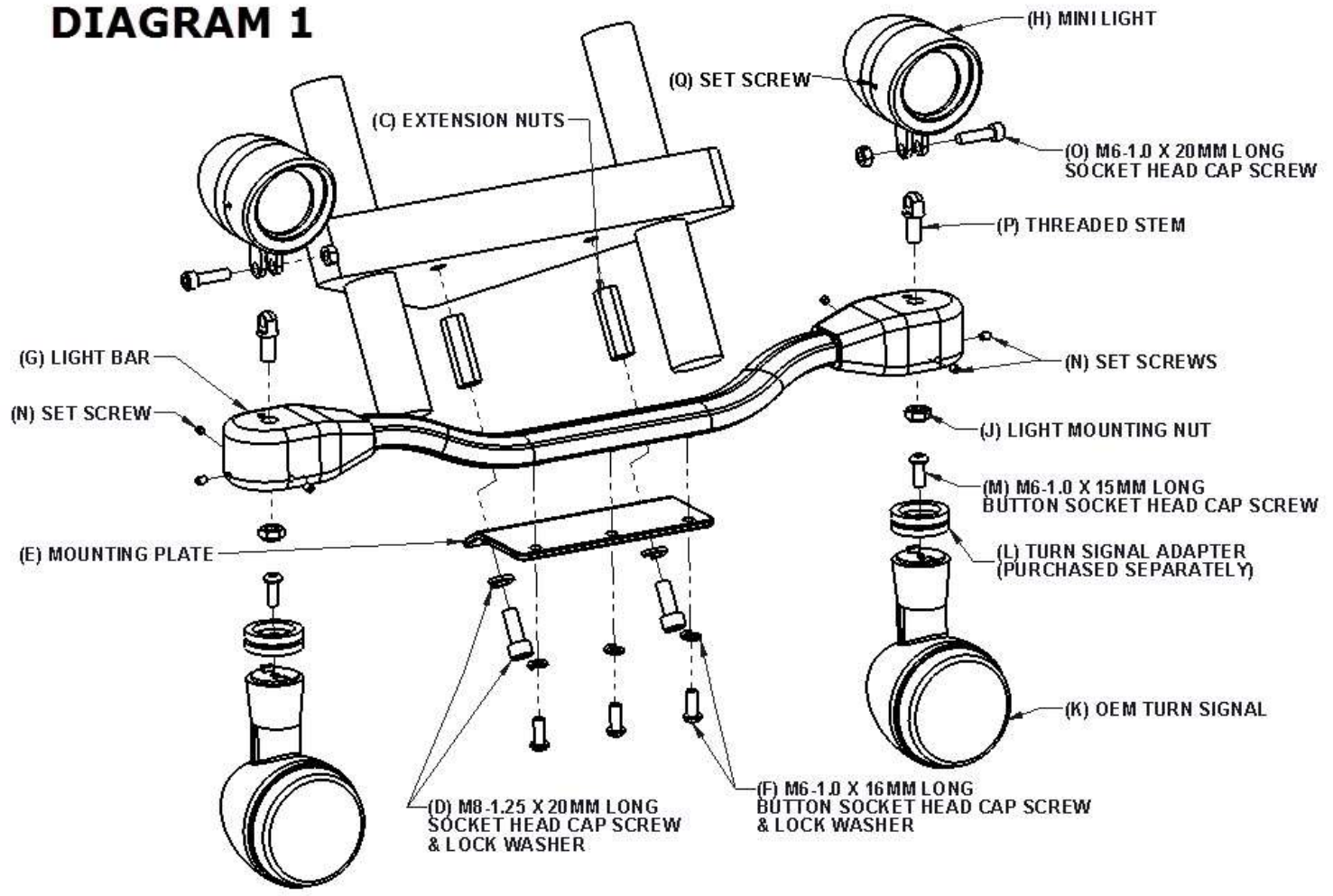


DIAGRAM 2

