

Copyright © 2005 by Big Bike Parts, Inc. No part of this instruction sheet may be reproduced without the written permission of Big Bike Parts, Inc.

PART NO. 63-134/63-134L

CONTOUR MINI DRIVING LIGHT KIT

FITMENT: YAMAHA V-STAR 650 CLASSIC

11/16/2016

TOOLS NEEDED:	2MM ALLEN WRENCH	4MM ALLEN WRENCH	5MM ALLEN WRENCH	6MM ALLEN WRENCH	8MM WRENCH
DRILL	PHILLIPS SCREWDRIVER	10MM WRENCH	13MM SOCKET WRENCH	13/16" DRILL BIT	THREAD LOCKER

PLEASE READ THROUGH AND UNDERSTAND THESE INSTRUCTIONS BEFORE BEGINNING. USE A REMOVABLE THREAD LOCK ON ALL FASTENERS.

ESTIMATED INSTALLATION TIME: 90 TO 120 MIN.

INSTALLATION: DIAGRAM 1

1. DISCONNECT THE NEGATIVE BATTERY CABLE.
2. USING PHILLIPS SCREWDRIVER, REMOVE THE TWO SCREWS ON THE SIDE OF THE HEADLIGHT AND REMOVE THE HEADLIGHT.
3. REMOVE THE COVER OVER OEM TURN SIGNAL LIGHT BAR.
4. ON EACH OEM TURN SIGNAL FOLLOW WIRES INTO THE HEADLIGHT HOUSING AND DISCONNECT THEM. UNPLUG THE BULLET CONNECTORS.
5. USING 6MM ALLEN WRENCH REMOVE THE TWO SOCKET HEAD CAP SCREWS (B) HOLDING THE TURN SIGNAL OEM LIGHT BAR TO FORKS (KEEP SCREWS).
6. USING 8MM AND 10MM WRENCH REMOVE THE TURN SIGNALS (G) FROM THE OEM LIGHT BAR (KEEP SCREWS AND RUBBER).
7. INSTALL MOUNTING PLATE (A) TO FORKS USING SCREWS THAT WERE REMOVED IN STEP 5.
8. TAKE EACH MINI LIGHT AND ONE AT A TIME REMOVE THE SET SCREW (N) AND APPLY A DROP OF THREAD LOCK. REPEAT THIS FOR ALL 6 SET SCREWS.
9. INSTALL THE NEW MINI LIGHTS (E) ONTO THE LIGHT BAR (D) USING THE THREADED STEM (L) AND LOCK NUTS (F) PROVIDED WITH THE LIGHTS. POSITION THE LIGHTS. TIGHTEN WITH A 13MM SOCKET. (CONNECT THE GROUND WIRE WITH THE RING TERMINAL TO THE M6 - 1.0 X 20MM LONG (M) SOCKET HEAD CAP SCREW AND THE POSITIVE WIRE WITH BULLET CONNECTOR WILL GO INTO THE EXTRA HOLE ON TOP OF LIGHT BAR WILL HAVE TO REMOVE BULLET CONNECTOR TO FIT INTO HOLE).

NOTE: STEPS 9,10,11, & 13 ARE FOR INSTALLING OEM TURN SIGNALS WITH 62-112T ADAPTERS.

10. INSTALL EACH OEM TURN SIGNAL (G) ONTO THE NEW TURN SIGNAL ADAPTER (H) ROUTING THE WIRES THROUGH THE HOLE IN THE ADAPTER. USING THE BOLTS REMOVED IN STEP 6 SECURE THE TURN SIGNAL TO THE ADAPTER.
11. ROUTE THE OEM TURN SIGNAL WIRES AND MINI LIGHT WIRE UNDER THE LIGHT BAR (D). YOU MAY HAVE TO CUT OFF OEM BULLET CONNECTORS AND ADD NEW ONES AFTER THEY ARE ROUTED.
12. THE TURN SIGNAL ADAPTERS (H) WITH OEM TURN SIGNALS (G) NEED TO BE POSITIONED INTO THE LOWER ENDS OF THE NEW LIGHT BAR (D) AND SECURED WITH THE SET SCREWS (K), THE SHORT SET SCREWS GO IN THE BACK HOLES. THERE ARE THREE SET SCREWS ON EACH SIDE.

NOTE: THERE ARE THREE DIFFERENT SETS OF MOUNTING HOLES ON THE LIGHT BAR THIS IS FOR ADJUSTABILITY BETWEEN BIKES. CHOOSE THE ONES THAT WILL GET THE LIGHT BAR CLOSEST TO THE FORKS WITHOUT HITTING ANYTHING.

13. USING THE M6 - 1.0 X 16MM LONG BUTTON SOCKET HEAD CAP SCREWS AND LOCK WASHERS (C) INSTALL THE LIGHT BAR (D) ONTO THE MOUNTING PLATE (A). TIGHTEN SECURELY WITH A 4MM ALLEN WRENCH.
14. RE-ROUTE THE OEM TURN SIGNAL WIRES INTO THE HEADLIGHT HOUSING AND RE-CONNECT AS THEY WERE.
15. LOCATE YOUR BIKE'S BATTERY, FUSE BLOCK AND /OR ACCESSORY TERMINALS AND WIRE ACCORDING TO THE **DIAGRAM 2** ON BACK.

NOTE: IF A 13-207 SWITCH BLOCK IS PURCHASED, STEPS C & E CAN BE SKIPPED AND PLUG ONE OF THE SWITCHES INTO THE RELAY.

- A) CONNECT THE BULLET CONNECTORS ON BLACK WIRES TO BULLET CONNECTORS ON LIGHT.
- B) WIRE SMALL GREEN AND RED HARNESS WITH IN-LINE FUSE DIRECTLY TO BATTERY: RED (+) POSITIVE, GREEN (-) NEGATIVE.
- C) FIND A CONVENIENT PLACE TO INSTALL SWITCH. DRILL A PILOT HOLE FIRST AND THEN DRILL A 13/16" HOLE. (CAN BE INSTALLED IN SIDE COVER.)
- D) ROUTE WIRE HARNESS AND PLUG THE THREE SPADE CONNECTORS TO SWITCH PER DIAGRAM: (GREEN=GROUND: ORANGE=SUPPLY: BLUE=LEAD.)
- E) CONNECT THE RING TERMINAL TO THE BATTERY GROUND AND SPLICE THE T-TAP INTO A KEYED POWER SOURCE AND CONNECT THE MALE SPADE.
- F) CONNECT THE REMAINING FIVE LEADS (2 BLACK, 1 RED, 1 BLUE, AND 1 GREEN) TO THE RELAY PROVIDED AS PER DIAGRAM.
16. TEST LIGHTS FOR PROPER OPERATION BEFORE REINSTALLING ANY REMOVED SIDE COVERS, SEATS, ETC. SECURE RELAY TO KEEP FROM BOUNCING.
17. USE THE ADHESIVE WIRE HOLDER TO HOLD THE WIRE UNDERNEATH THE LIGHT BAR AND OUT OF SIGHT.

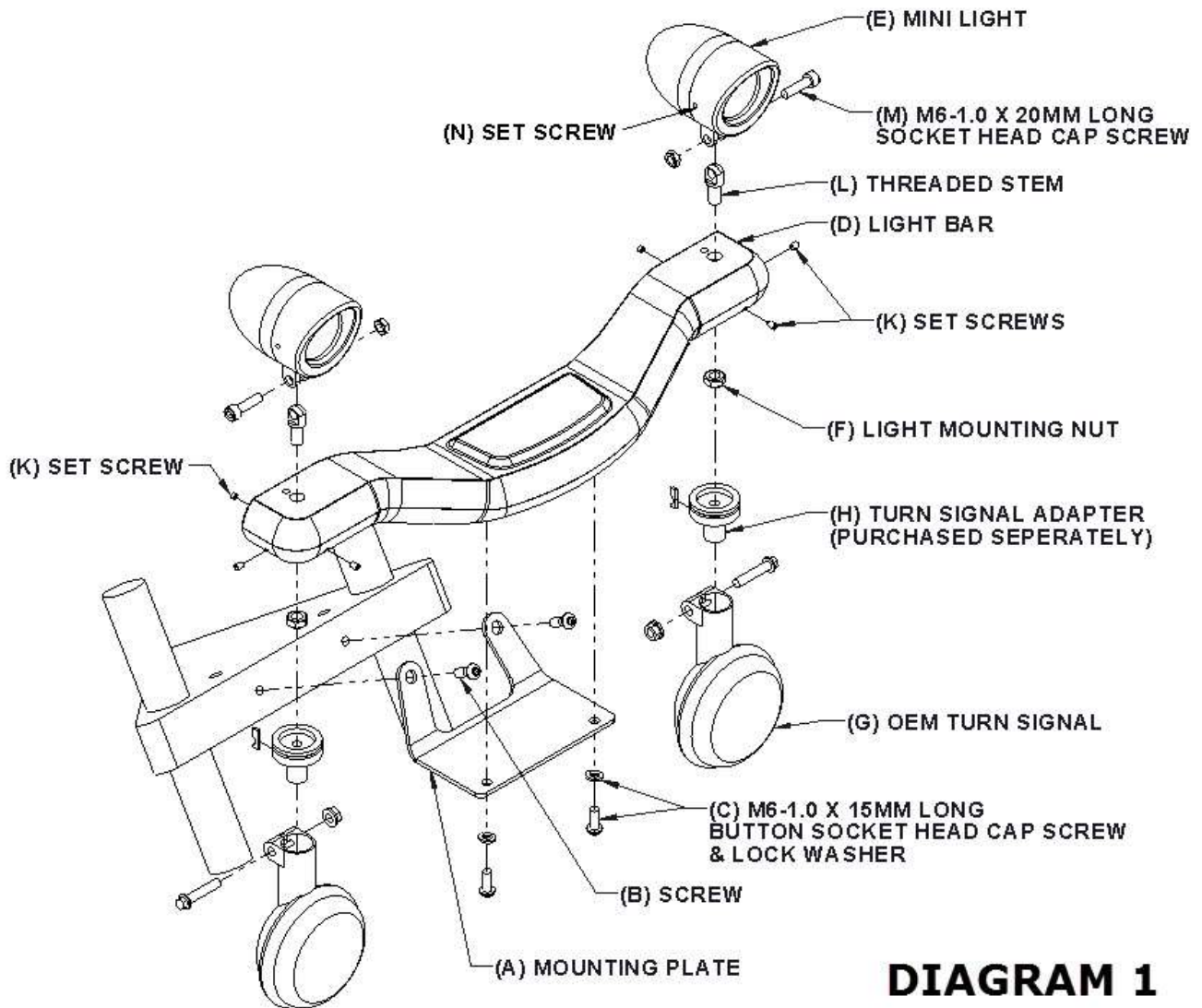


DIAGRAM 1

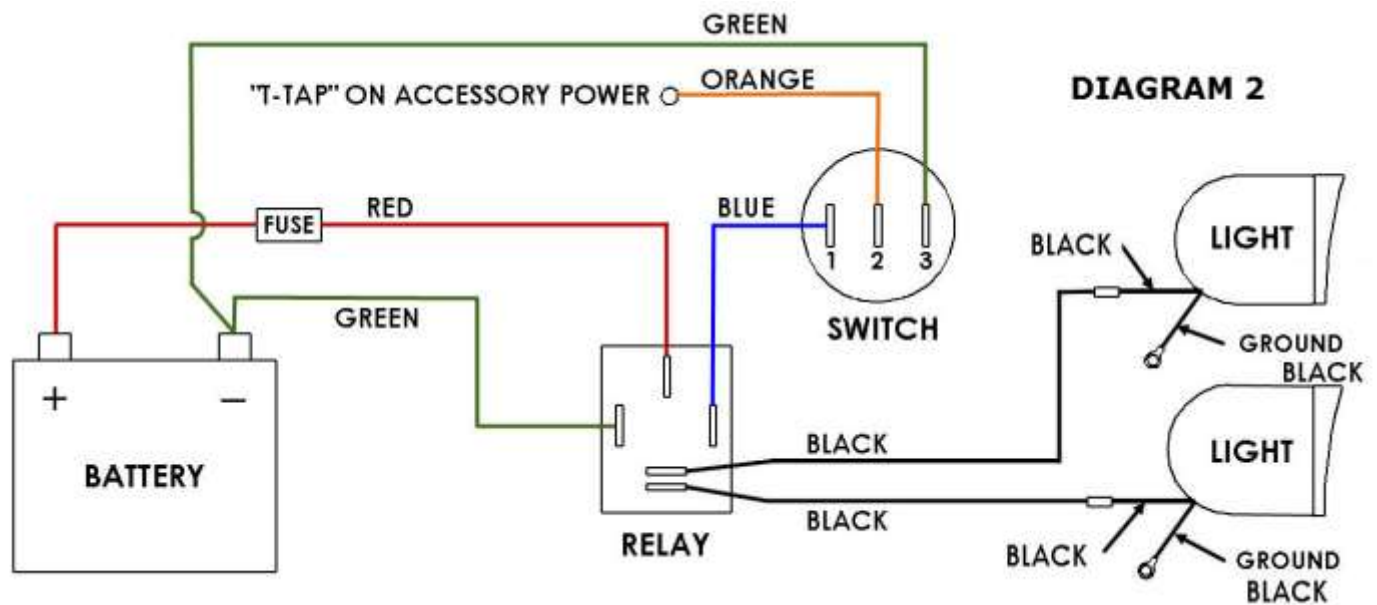


DIAGRAM 2