

Copyright © 2007 by Big Bike Parts, Inc. No part of this instruction sheet may be reproduced without the written permission of Big Bike Parts, Inc.

PART NO. 63-206/63-206L

ELLIPTICAL MINI DRIVING LIGHT KIT

11/18/2016

FITMENT: YAMAHA V STAR 950

TOOLS NEEDED:	PHILLIPS SCREWDRIVER	2MM ALLEN WRENCH	4MM ALLEN WRENCH	5MM ALLEN WRENCH	10MM WRENCH
	13MM SOCKET WRENCH	14MM SOCKET WRENCH	8MM SOCKET WRENCH	EXTENSION	WIRE CUTTER/CRIMPER
	DRILL	13/16" DRILL BIT	THREAD LOCKER		

PLEASE READ THROUGH AND UNDERSTAND THESE INSTRUCTIONS BEFORE BEGINNING. USE REMOVABLE THREAD LOCK ON ALL FASTENERS.

ESTIMATED INSTALLATION TIME: 90 TO 120 MIN.

INSTALLATION: DIAGRAM 1

1. REMOVE SEAT AND DISCONNECT THE NEGATIVE BATTERY CABLE.
2. REMOVE THE TWO BUTTON SOCKET HEAD CAP SCREWS FROM THE BOTTOM OF THE OEM LIGHT BAR COVER USING A 4MM ALLEN WRENCH. THEN REMOVE THE COVER BY PULLING IT AWAY FROM THE HEADLIGHT. ALSO REMOVE THE GROMMET FROM THE HEADLIGHT BRACKET.
3. USING A PHILLIPS SCREWDRIVER, REMOVE THE TWO PHILLIPS PAN HEAD SCREWS HOLDING THE FRONT COVER TO THE HEADLIGHT HOUSING, AND THEN DISCONNECT THE HEADLIGHT AND SET IT ASIDE.
4. USING A 4MM ALLEN WRENCH, REMOVE THE FOUR BUTTON SOCKET HEAD CAP SCREWS HOLDING THE FRONT COVER TO THE HEADLIGHT HOUSING, AND THEN DISCONNECT THE HEADLIGHT AND SET IT ASIDE.
5. DISCONNECT THE TURN SIGNALS FROM INSIDE THE HEADLIGHT HOUSING, NOTING AS TO WHICH ONE IS THE LEFT AND RIGHT TURN SIGNAL.
6. REMOVE THE TURN SIGNALS FROM THE MOUNTING BRACKETS USING A 14MM SOCKET WRENCH TO REMOVE THE NUT, AND THEN PULL THE TURN SIGNAL AND WIRES OUT OF THE MOUNTING BRACKET.
7. INSIDE THE HEADLIGHT HOUSING, YOU WILL FIND (3) M6-1.0 HEX HEAD SCREWS THAT ARE HOLDING THE HOUSING TO THE OEM LIGHT BAR BRACKET AND TO THE TRIPLE TREE. REMOVE THESE THREE SCREWS WITH THE 8MM SOCKET WRENCH WITH EXTENSION AND REMOVE THE HEADLIGHT HOUSING FROM THE BIKE. ALL OF THE WIRES SHOULD BE PULLED OUT THE BACK OF THE HOUSING
8. REMOVE THE TURN SIGNAL MOUNTING BRACKETS FROM THE TRIPLE TREE BY USING A 5MM ALLEN WRENCH TO REMOVE THE BUTTON SOCKET HEAD CAP SCREW FROM EACH BRACKET.
9. USING A 5MM ALLEN WRENCH, REMOVE THE TWO BUTTON SOCKET HEAD CAP SCREWS (A) HOLDING THE HEADLIGHT BRACKET TO THE FRONT OF THE TRIPLE TREE AND REMOVE THE OEM HEADLIGHT BRACKET.
10. TAKE EACH MINI LIGHT AND ONE AT A TIME REMOVE THE SET SCREW (N) AND APPLY A DROP OF THREAD LOCK. REPEAT THIS FOR ALL 6 SET SCREWS.
11. INSTALL THE MINI DRIVING LIGHTS (C) ONTO THE LIGHT BAR (D) USING THE THREADED STEM (E) AND LOCK NUTS (F) PROVIDED WITH THE LIGHTS. POSITION THE LIGHTS. TIGHTEN WITH A 13MM SOCKET. (CONNECT THE GROUND WIRE WITH THE RING TERMINAL TO THE M6-1.0 X 20MM LONG SOCKET HEAD CAP SCREW (G) AND THE POSITIVE WIRE WITH BULLET CONNECTOR WILL GO INTO THE EXTRA HOLE ON TOP OF THE LIGHT BAR. YOU WILL HAVE TO REMOVE THE BULLET CONNECTOR TO FIT INTO HOLE.)
12. WITH A PHILLIPS SCREWDRIVER REMOVE THE SCREW (H) FROM THE OEM TURN SIGNALS (J) LOCATED IN THE HOLE WHERE THE WIRES ARE ROUTED OUT OF THE OEM TURN SIGNAL ADAPTER. THEN REMOVE THE TURN SIGNAL (J) FROM THE OEM ADAPTER.

NOTE: STEPS 13, 14, 15, AND 17 ARE FOR INSTALLING OEM TURN SIGNALS WITH 63-312T. (SOLD SEPARATELY)

13. INSTALL EACH OEM TURN SIGNAL (J) ONTO THE TURN SIGNAL ADAPTER (K) ROUTING THE WIRES THROUGH THE HOLE IN THE ADAPTERS. USING THE SCREW (H) REMOVED IN STEP 9; SECURE THE TURN SIGNAL (J) TO THE ADAPTER (K).
14. ROUTE THE OEM TURN SIGNAL WIRES AND CONTOUR MINI DRIVING LIGHT WIRE UNDER THE LIGHT BAR (D).
15. THE TURN SIGNAL ADAPTERS (K) WITH OEM TURN SIGNALS (J) NEED TO BE POSITIONED INTO THE LOWER ENDS OF THE NEW LIGHT BAR (D) AND SECURED WITH THE SET SCREWS (L); THE SHORT SET SCREWS GO INTO THE BACK HOLES. THERE ARE THREE SET SCREWS ON EACH SIDE.
16. USING THE M6-1.0 X 16MM LONG BUTTON SOCKET HEAD CAP SCREWS AND LOCK WASHERS (M), INSTALL THE LIGHT BAR (D) ONTO THE LIGHT BAR BRACKET (B). TIGHTEN SECURELY WITH A 4MM ALLEN WRENCH.
17. RE-ROUTE THE OEM TURN SIGNAL WIRES INTO THE HEADLIGHT HOUSING AND RE-CONNECT AS THEY WERE.
18. LOCATE THE BIKE'S BATTERY, FUSE BLOCK, AND/OR ACCESSORY TERMINALS AND WIRE ACCORDING TO **DIAGRAM 2**.

NOTE: IF A 13-207 SWITCH BLOCK IS PURCHASED, STEPS C & E CAN BE SKIPPED AND PLUG ONE OF THE SWITCHES INTO THE RELAY.

- A) CONNECT THE BULLET CONNECTORS ON BLACK WIRES TO BULLET CONNECTORS ON LIGHT.
- B) WIRE SMALL GREEN AND RED HARNESS WITH IN-LINE FUSE DIRECTLY TO THE BATTERY: RED (+) POSITIVE, GREEN (-) NEGATIVE.
- C) FIND A CONVENIENT PLACE TO INSTALL THE SWITCH. DRILL A PILOT HOLE FIRST AND THEN DRILL A 13/16" HOLE.
- D) ROUTE WIRE HARNESS, AND PLUG THE THREE SPADE CONNECTORS TO SWITCH PER DIAGRAM: (GREEN=GROUND: ORANGE=SUPPLY: BLUE=LEAD.)
- E) CONNECT THE RING TERMINAL TO THE BATTERY GROUND AND SPLICE THE T-TAP INTO A KEYED POWER SOURCE AND CONNECT THE MALE SPADE.
- F) CONNECT THE REMAINING FIVE LEADS (2 BLACK, 1 RED, 1 BLUE AND 1 GREEN) TO THE RELAY, PROVIDED AS PER DIAGRAM.
19. TEST LIGHTS FOR PROPER OPERATION BEFORE REINSTALLING ANY REMOVED SIDE COVERS, SEATS, ETC. SECURE RELAY TO KEEP FROM BOUNCING.
20. USE THE ADHESIVE WIRE HOLDERS TO HOLD THE WIRES UNDERNEATH THE LIGHT BAR (D) AND OUT OF SIGHT.

DIAGRAM 1

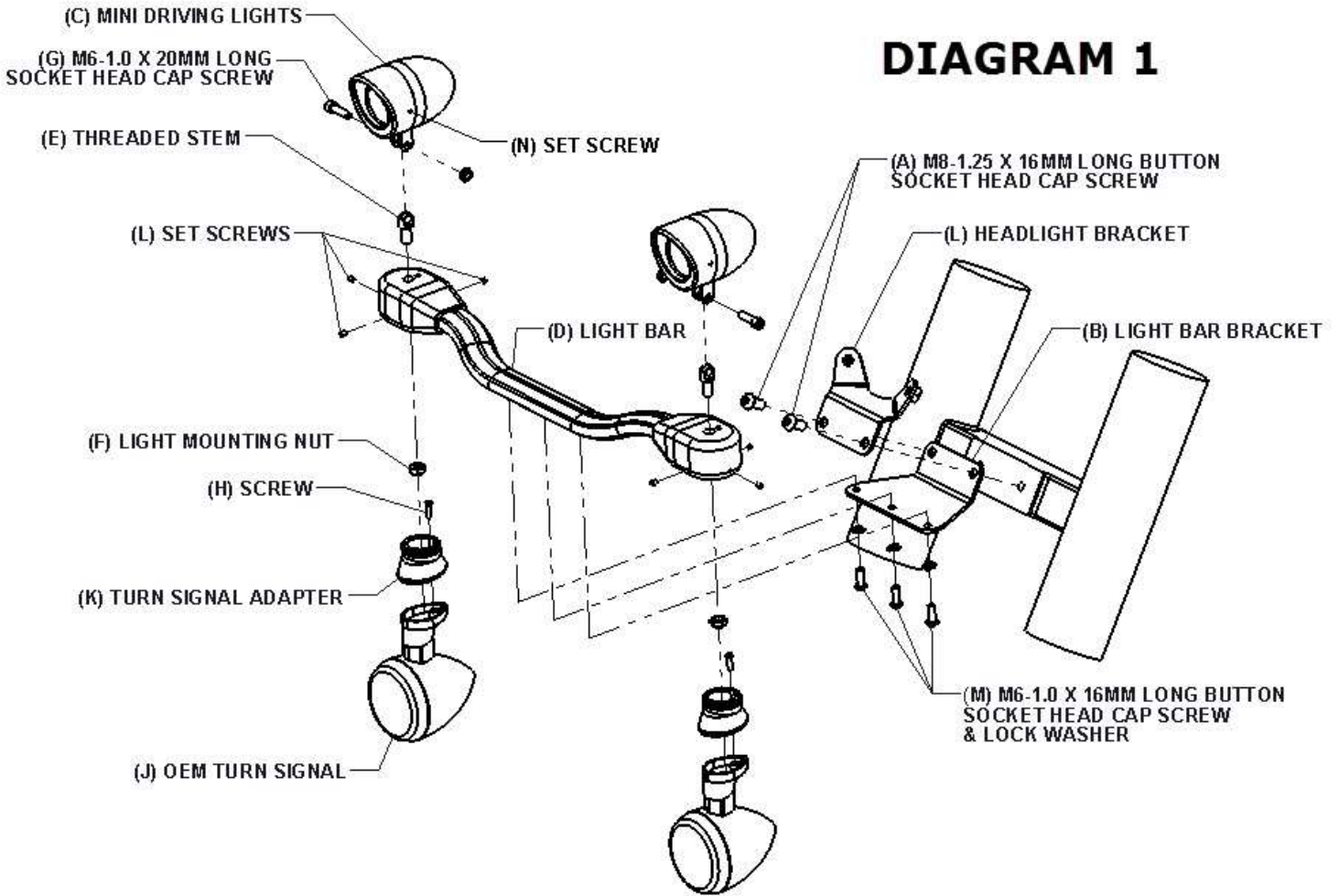


DIAGRAM 2

