

Copyright © 2007 by Big Bike Parts, Inc. No part of this instruction sheet may be reproduced without the written permission of Big Bike Parts, Inc.

PART NO. 63-313/63-313L

CONTOUR MINI DRIVING LIGHT KIT

FITMENT: YAMAHA VSTAR1300

11/18/2016

TOOLS NEEDED:	2MM ALLEN WRENCH	4MM ALLEN WRENCH	5MM ALLEN WRENCH	10MM WRENCH	13MM SOCKET WRENCH
DRILL	14MM SOCKET WRENCH	PHILLIPS SCREWDRIVER	13/16" DRILL BIT	WIRE CUTTER/CRIMPER	THREAD LOCKER

PLEASE READ THROUGH AND UNDERSTAND THESE INSTRUCTIONS BEFORE BEGINNING. USE REMOVABLE THREAD LOCK ON ALL FASTENERS.

ESTIMATED INSTALLATION TIME: 90 TO 120 MIN.

INSTALLATION: DIAGRAM 1

1. DISCONNECT THE NEGATIVE BATTERY CABLE.
2. REMOVE THE TWO BUTTON SOCKET HEAD CAP SCREWS FROM THE BOTTOM OF THE OEM LIGHT BAR COVER USING A 4MM ALLEN WRENCH. THEN REMOVE THE COVER BY PULLING IT AWAY FROM THE HEADLIGHT. ALSO REMOVE THE GROMMET FROM THE HEADLIGHT BRACKET.
3. USING A 4MM ALLEN WRENCH, REMOVE THE FOUR BUTTON SOCKET HEAD CAP SCREWS HOLDING THE FRONT COVER TO THE HEADLIGHT HOUSING, AND THEN DISCONNECT THE HEADLIGHT AND SET IT ASIDE.
4. DISCONNECT THE TURN SIGNALS FROM INSIDE THE HEADLIGHT HOUSING, NOTING AS TO WHICH ONE IS THE LEFT AND RIGHT TURN SIGNAL.
5. REMOVE THE TURN SIGNALS FROM THE MOUNTING BRACKETS USING A 14MM SOCKET WRENCH TO REMOVE THE NUT, AND THEN PULL THE TURN SIGNAL AND WIRES OUT OF THE MOUNTING BRACKET.
6. REMOVE THE TURN SIGNAL MOUNTING BRACKETS FROM THE TRIPLE TREE BY USING A 5MM ALLEN WRENCH TO REMOVE THE BUTTON SOCKET HEAD CAP SCREW FROM EACH BRACKET.
7. USING A 5MM ALLEN WRENCH, REMOVE THE TWO BUTTON SOCKET HEAD CAP SCREWS (A) HOLDING THE HEADLIGHT BRACKET TO THE FRONT OF THE TRIPLE TREE, AND SLIDE THE NEW LIGHT BAR BRACKET (B) BETWEEN THE FRONT OF THE TRIPLE TREE AND THE BACK OF THE HEADLIGHT BRACKET. REINSTALL THE BUTTON SOCKET HEAD CAP SCREWS (A) JUST REMOVED AND TIGHTEN DOWN.
8. TAKE EACH MINI LIGHT AND ONE AT A TIME REMOVE THE SET SCREW (N) AND APPLY A DROP OF THREAD LOCK. REPEAT THIS FOR ALL 6 SET SCREWS.
9. INSTALL THE NEW MINI LIGHTS (C) ONTO THE LIGHT BAR (D) USING THE THREADED STEM (E) AND LOCK NUTS (F) PROVIDED WITH THE LIGHTS. POSITION THE LIGHTS. TIGHTEN WITH A 13MM SOCKET. (CONNECT THE GROUND WIRE WITH THE RING TERMINAL TO THE M6-1.0 X 20MM LONG SOCKET HEAD CAP SCREW (G) AND THE POSITIVE WIRE WITH BULLET CONNECTOR WILL GO INTO THE EXTRA HOLE ON TOP OF THE LIGHT BAR. YOU WILL HAVE TO REMOVE THE BULLET CONNECTOR TO FIT INTO HOLE.)
10. WITH A PHILLIPS SCREWDRIVER REMOVE THE SCREW (H) FROM THE OEM TURN SIGNALS (J) LOCATED IN THE HOLE WHERE THE WIRES ARE ROUTED OUT OF THE OEM TURN SIGNAL ADAPTER. THEN REMOVE THE TURN SIGNAL (J) FROM THE OEM ADAPTER.

NOTE: STEPS 11, 12, 13, AND 15 ARE FOR INSTALLING OEM TURN SIGNALS WITH 63-312T. (SOLD SEPARATELY)

11. INSTALL EACH OEM TURN SIGNAL (J) ONTO THE NEW TURN SIGNAL ADAPTER (K) ROUTING THE WIRES THROUGH THE HOLE IN THE ADAPTERS. USING THE SCREW (H) REMOVED IN STEP 9; SECURE THE TURN SIGNAL (J) TO THE ADAPTER (K).
12. ROUTE THE OEM TURN SIGNAL WIRES AND MINI LIGHT WIRE UNDER THE LIGHT BAR (D).
13. THE TURN SIGNAL ADAPTERS (K) WITH OEM TURN SIGNALS (J) NEED TO BE POSITIONED INTO THE LOWER ENDS OF THE NEW LIGHT BAR (D) AND SECURED WITH THE SET SCREWS (L); THE SHORT SET SCREWS GO INTO THE BACK HOLES. THERE ARE THREE SET SCREWS ON EACH SIDE.

NOTE: THERE ARE THREE DIFFERENT SETS OF MOUNTING HOLES ON THE LIGHT BAR THIS IS FOR ADJUSTABILITY BETWEEN BIKES. CHOOSE THE ONES THAT WILL GET THE LIGHT BAR CLOSEST TO THE FORKS WITHOUT HITTING ANYTHING.

14. USING THE M6-1.0 X 16MM LONG BUTTON SOCKET HEAD CAP SCREWS AND LOCK WASHERS (M), INSTALL THE LIGHT BAR (D) ONTO THE LIGHT BAR BRACKET (B). TIGHTEN SECURELY WITH A 4MM ALLEN WRENCH.
15. RE-ROUTE THE OEM TURN SIGNAL WIRES INTO THE HEADLIGHT HOUSING AND RE-CONNECT AS THEY WERE.
16. LOCATE YOUR BIKE'S BATTERY, FUSE BLOCK, AND/OR ACCESSORY TERMINALS AND WIRE ACCORDING TO **DIAGRAM 2**.

NOTE: IF A 13-207 SWITCH BLOCK IS PURCHASED, STEPS C & E CAN BE SKIPPED AND PLUG ONE OF THE SWITCHES INTO THE RELAY.

- A) CONNECT THE BULLET CONNECTORS ON BLACK WIRES TO BULLET CONNECTORS ON LIGHT.
- B) WIRE SMALL GREEN AND RED HARNESS WITH IN-LINE FUSE DIRECTLY TO THE BATTERY: RED (+) POSITIVE, GREEN (-) NEGATIVE.
- C) FIND A CONVENIENT PLACE TO INSTALL THE SWITCH. DRILL A PILOT HOLE FIRST AND THEN DRILL A 13/16" HOLE.
- D) ROUTE WIRE HARNESS, AND PLUG THE THREE SPADE CONNECTORS TO SWITCH PER DIAGRAM: (GREEN=GROUND: ORANGE=SUPPLY: BLUE=LEAD.)
- E) CONNECT THE RING TERMINAL TO THE BATTERY GROUND AND SPLICE THE T-TAP INTO A KEYED POWER SOURCE AND CONNECT THE MALE SPADE.
- F) CONNECT THE REMAINING FIVE LEADS (2 BLACK, 1 RED, 1 BLUE AND 1 GREEN) TO THE RELAY, PROVIDED AS PER DIAGRAM.
17. TEST LIGHTS FOR PROPER OPERATION BEFORE REINSTALLING ANY REMOVED SIDE COVERS, SEATS, ETC. SECURE RELAY TO KEEP FROM BOUNCING.
18. USE THE ADHESIVE WIRE HOLDERS TO HOLD THE WIRES UNDERNEATH THE LIGHT BAR (D) AND OUT OF SIGHT.

DIAGRAM 1

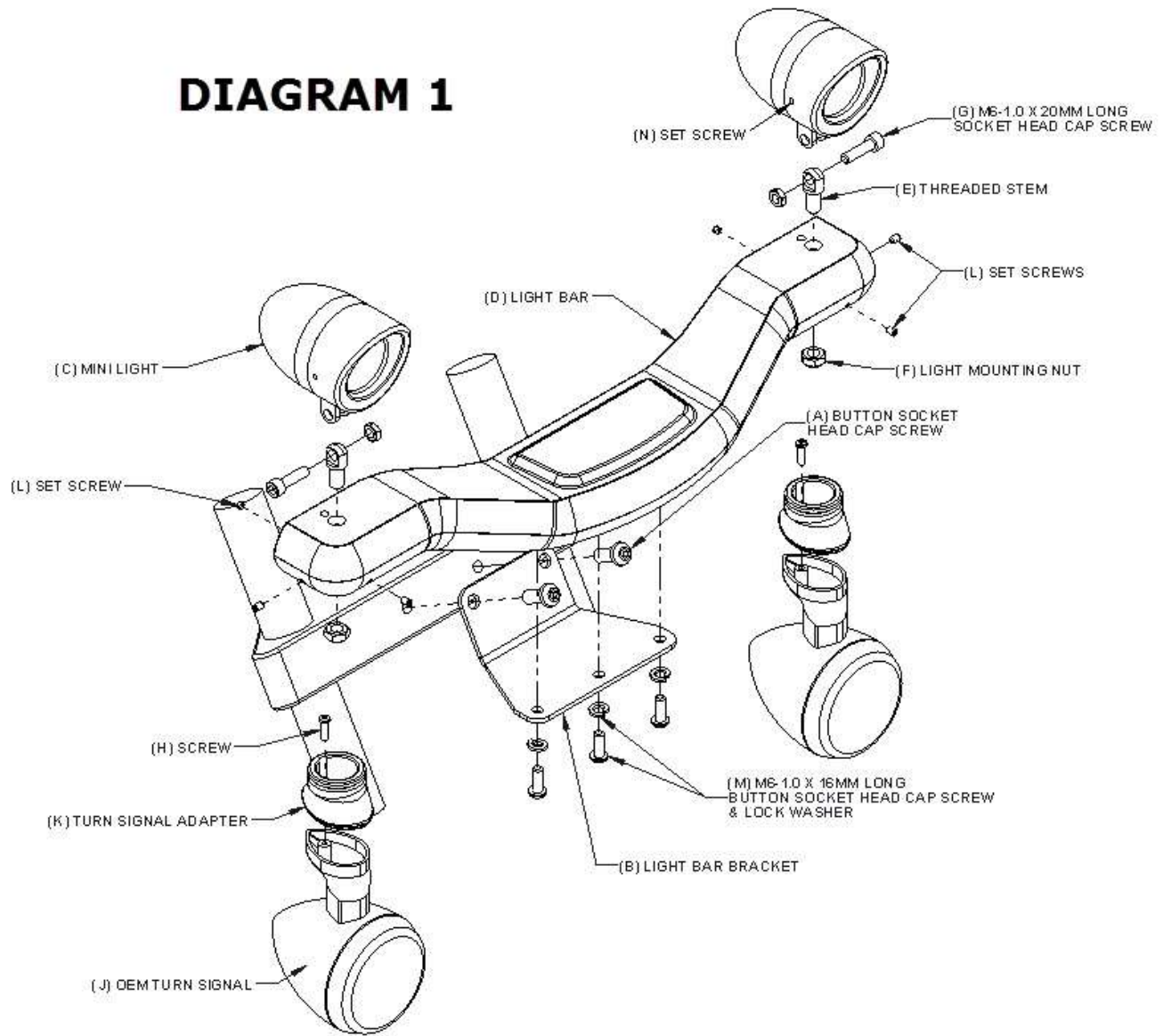


DIAGRAM 2

