

BIG BIKE PARTS[®]

INSTALLATION INSTRUCTIONS

Copyright © 2016 by Big Bike Parts, Inc. No part of this instruction sheet may be reproduced without the written permission of Big Bike Parts, Inc.

PART NO. 71-337L

ELLIPTICAL LED DRIVING LIGHT BAR KIT

FITMENT: KAWASAKI VN900 CLASSIC

10/3/2016

TOOLS NEEDED:	PHILLIPS SCREWDRIVER	14MM SOCKET WRENCH	13MM SOCKET WRENCH	6MM ALLEN WRENCH	12MM SOCKET WRENCH
	5MM WRENCH	5MM ALLEN WRENCH	DRILL	4MM ALLEN WRENCH	2MM ALLEN WRENCH
	THREAD LOCKER	13/16" DRILL BIT	WIRE CUTTER/CRIMPER		

PLEASE READ THROUGH AND UNDERSTAND THESE INSTRUCTIONS BEFORE BEGINNING. USE REMOVABLE THREAD LOCK ON ALL SCREWS.

ESTIMATED INSTALLATION TIME: 60 TO 90 MIN.

INSTALLATION:

1. DISCONNECT THE NEGATIVE BATTERY CABLE.
2. USING THE PHILLIPS SCREWDRIVER, REMOVE THE TWO SCREWS HOLDING THE FRONT COVER TO THE HEADLIGHT HOUSING, AND THEN DISCONNECT THE HEADLIGHT AND SET IT ASIDE.
3. DISCONNECT THE TURN SIGNALS FROM INSIDE THE HEADLIGHT HOUSING, NOTING AS TO WHICH ONE IS THE LEFT AND RIGHT TURN SIGNAL.
4. USING THE 5MM ALLEN WRENCH, REMOVE THE TWO BOLTS HOLDING THE OEM LIGHT BAR TO THE SIDES OF THE FORKS. REMOVE THE BRAKE CABLE FROM THE WIRE HOLDER ATTACHED TO THE OEM LIGHT BAR.
5. REMOVE THE OEM LIGHT BAR FROM THE BOTTOM OF THE TRIPLE TREE BY USING A 5MM WRENCH TO REMOVE THE TWO BOLTS HOLDING IT TO THE TRIPLE TREE.
6. USING THE 12MM SOCKET WRENCH, REMOVE THE TWO NUTS HOLDING THE HEADLIGHT BRACKET TO THE TOP OF THE TRIPLE TREE. THEN TIGHTEN THE EXTENSION NUTS (A) TO THE TWO BOLTS USING A 13MM SOCKET WRENCH.
7. THEN INSTALL THE MOUNTING PLATE (E) TO THE EXTENSION NUTS (A) WITH THE TWO M8 - 1.25 X 16MM LONG SOCKET HEAD CAP SCREWS.
8. INSTALL THE BRAKE LINE HOLDER TO THE LEFT FORK USING ONE OF THE M8 - 1.25 X 16MM LONG BUTTON SOCKET HEAD CAP SCREW, AND SCREW THE OTHER INTO THE OPEN HOLE ON THE RIGHT SIDE. THEN PLACE THE BRAKE LINE IN THE HOLDER.
9. INSTALL THE LED LIGHTS (H) ONTO THE LIGHT BAR (G) USING THE NUT (P) PROVIDED WITH THE LIGHTS. POSITION THE LIGHTS AND TIGHTEN WITH A 13MM SOCKET.

NOTE: STEPS 10, 11, AND 12 ARE FOR INSTALLING OEM TURN SIGNALS WITH 16-111T ADAPTERS. (SOLD SEPARATELY)

10. REMOVE THE TURN SIGNALS FROM THE OEM LIGHT BAR BY PULLING BACK THE RUBBER COVER COVERING THE NUT HOLDING THE TURN SIGNAL TO THE BAR. REMOVE THE NUT WITH A 14MM WRENCH AND SLIDE THE RUBBER COVER AND NUT ALL THE WAY OFF THE WIRES SO IT CAN BE REMOVED FROM THE LIGHT BAR. REPEAT FOR THE OTHER SIDE.
11. INSTALL EACH OEM TURN SIGNAL (K) ONTO THE TURN SIGNAL ADAPTER (L) ROUTING THE WIRES THROUGH THE HOLE IN THE INSERT. USE THE NUT REMOVED IN STEP 10 TO ATTACH THE TURN SIGNAL TO THE TURN SIGNAL ADAPTER.
12. ROUTE THE OEM TURN SIGNAL WIRES AND LED LIGHT WIRES THROUGH THE LIGHT BAR (G).
13. THE TURN SIGNAL ADAPTER (L) WITH OEM TURN SIGNAL (K) CAN BE POSITIONED INTO THE LOWER ENDS OF THE LIGHT BAR (G) AND SECURED WITH THE SET SCREWS (N) THE SHORT SET SCREWS GO IN THE BACK HOLES. THERE ARE THREE SET SCREWS ON EACH SIDE.
14. USING THE M6 - 1.0 X 16MM LONG BUTTON SOCKET HEAD CAP SCREWS (B) AND LOCK WASHERS PROVIDED INSTALL THE LIGHT BAR (G) TO THE MOUNTING PLATE (E). TIGHTEN SECURELY WITH A 4MM ALLEN WRENCH.
15. RE-ROUTE THE TURN SIGNAL (K) WIRES. WIRE INTO THE HEADLIGHT HOUSING AND RE-CONNECT AS THEY WERE. MAY HAVE TO ADD LENGTH TO THE WIRES.
16. LOCATE YOUR BIKE'S BATTERY, FUSE BLOCK, AND/OR ACCESSORY TERMINALS AND WIRE ACCORDING TO FIG. 2.

NOTE: IF A 13-207 SWITCH BLOCK IS PURCHASED, STEPS C, D & E CAN BE SKIPPED AND PLUG ONE OF THE SWITCHES INTO THE RELAY.

- A) CONNECT THE BULLET CONNECTORS ON BLACK WIRES TO BULLET CONNECTORS ON LIGHT.
- B) WIRE SMALL GREEN AND RED HARNESS WITH IN-LINE FUSE DIRECTLY TO THE BATTERY: RED (+) POSITIVE, GREEN (-) NEGATIVE.
- C) FIND A CONVENIENT PLACE TO INSTALL THE SWITCH. DRILL A PILOT HOLE FIRST AND THEN DRILL A 13/16" HOLE. (CAN BE INSTALLED IN A SIDE COVER.)

- D) ROUTE WIRE HARNESS, AND PLUG THE THREE SPADE CONNECTORS TO SWITCH PER DIAGRAM: (GREEN=GROUND: ORANGE=SUPPLY: BLUE=LEAD.)
- E) CONNECT THE RING TERMINAL TO THE BATTERY GROUND AND SPLICE THE T-TAP INTO A KEYED POWER SOURCE AND CONNECT THE MALE SPADE.
- F) CONNECT THE REMAINING FIVE LEADS (2 BLACK, 1 RED, 1 BLUE, AND 1 GREEN) TO THE RELAY PROVIDED AS PER DIAGRAM.

- 17. TEST LIGHTS FOR PROPER OPERATION BEFORE REINSTALLING ANY REMOVED SIDE COVERS, SEATS, ETC. SECURE RELAY TO KEEP FROM BOUNCING.
- 18. USE THE ADHESIVE WIRE HOLDER TO HOLD THE WIRES UNDERNEATH THE LIGHT BAR AND OUT OF SIGHT.

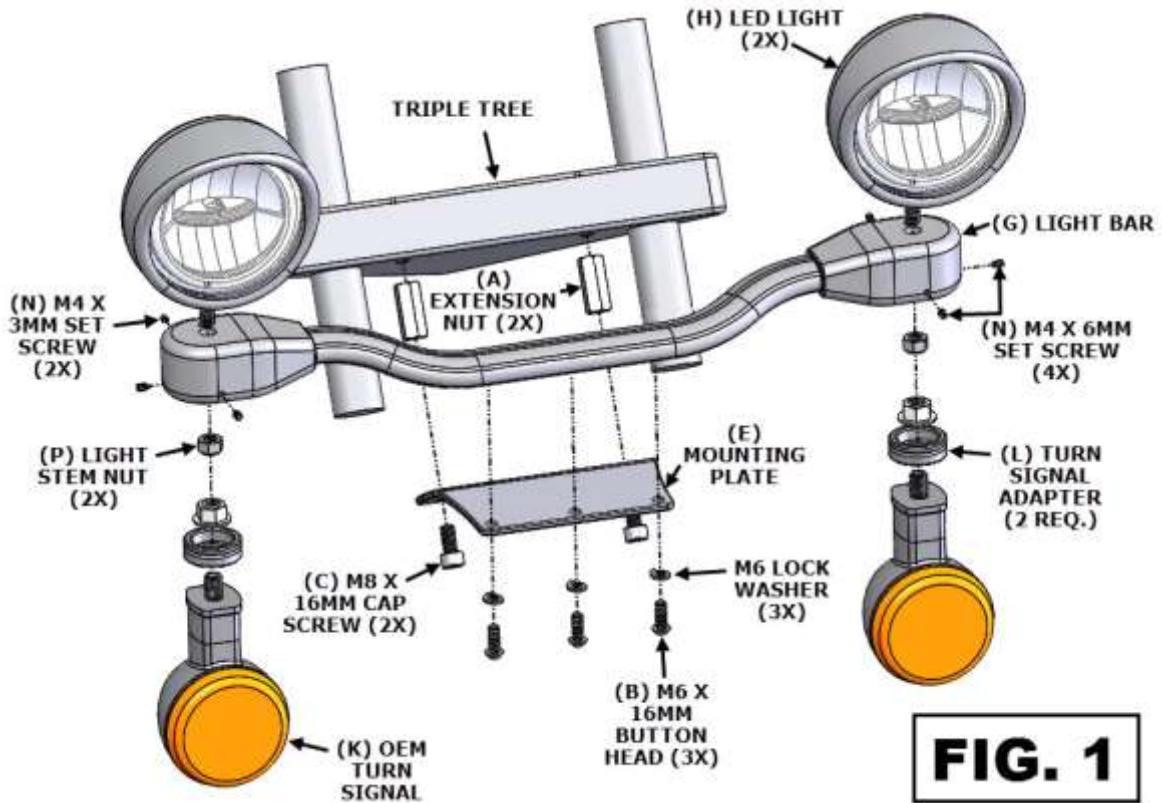


FIG. 1

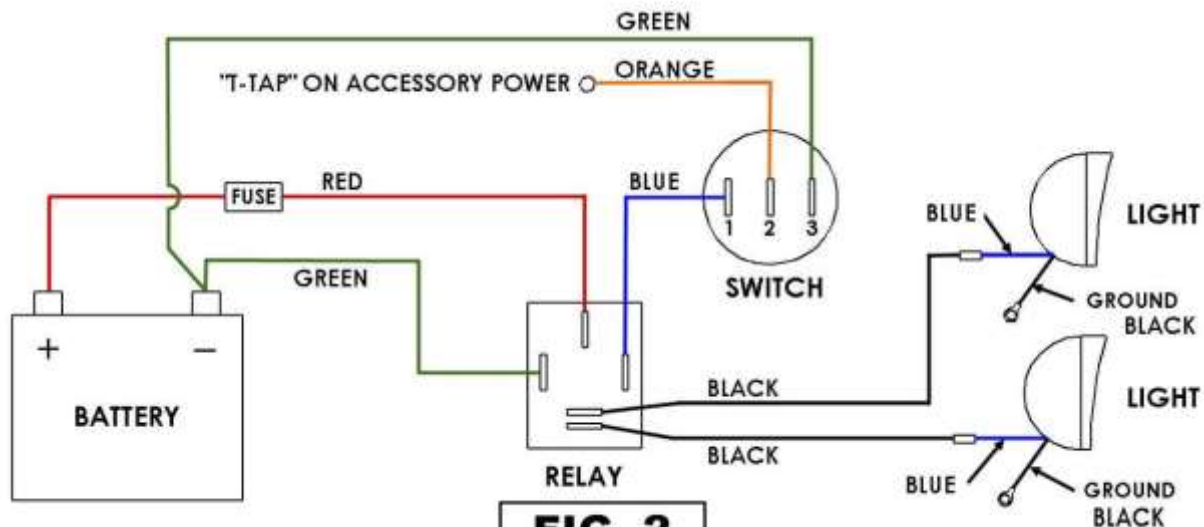


FIG. 2